



**JEFFERSON COUNTY PURCHASING DEPARTMENT**  
*Deborah L. Clark, Purchasing Agent*

1149 Pearl Street  
1<sup>st</sup> Floor, Beaumont, TX 77701

OFFICE MAIN: (409) 835-8593  
FAX: (409) 835-8456

**LEGAL NOTICE**  
**Advertisement for Request for Proposal**

January 17, 2023

Notice is hereby given that sealed proposals will be accepted by the Jefferson County Purchasing Department for Request for Proposals (RFP 23-007/MR), Automated Teller Machines (ATM) Installation and Operation for Jefferson County. **Specifications for this project may be obtained from the Jefferson County website, <https://www.co.jefferson.tx.us/Purchasing/>, or by calling 409-835-8593.**

Proposals are to be sealed and addressed to the Purchasing Agent with the proposal number and name marked on the outside of the envelope or box. Proposers shall forward an original and three (3) hard copies of their proposal to the address shown below. Late proposals will be rejected as non-responsive. Proposals will be publicly opened and only the firm name will be read aloud in the Jefferson County Engineering Conference Room (5<sup>th</sup> Floor, Historic Courthouse) 1149 Pearl Street, Beaumont, Texas 77701 at the time and date below. Proposals shall be opened in a manner that avoids disclosure of the contents to competing Proposers and maintains the confidentiality of the proposals during negotiations. Proposals will be open for public inspection after the award of the contract, except for trade secrets and confidential information. Proposers are invited to attend the sealed proposal opening.

**PROPOSAL NAME:** Automated Teller Machines (ATM) Installation and Operation for Jefferson County

**PROPOSAL NUMBER:** RFP 23-007/MR

**DUE DATE/TIME:** 11:00 AM CT, Wednesday, February 22, 2023

**MAIL OR DELIVER TO:** Jefferson County Purchasing Department  
1149 Pearl Street, 1<sup>st</sup> Floor  
Beaumont, Texas 77701

Any questions relating to these requirements should be directed to Mistey Reeves, Assistant Purchasing Agent at 409-835-8593 or [mistey.reeves@jeffcotx.us](mailto:mistey.reeves@jeffcotx.us). If no response, contact Deborah Clark, Purchasing Agent at 409-835-8593 or [deb.clark@jeffcotx.us](mailto:deb.clark@jeffcotx.us).

Jefferson County encourages Disadvantaged Business Enterprises (DBEs), Minority/Women Business Enterprises (M/WBEs), and Historically Underutilized Businesses (HUBs) to participate in the bidding process. Jefferson County does not discriminate on the basis of race, color, national origin, sex, religion, age or disability in employment, or the provisions of services. Individuals requiring special accommodations are requested to contact our office at least seven (7) days prior to the bid due date at 409-835-8593.

All interested firms are invited to submit a proposal in accordance with the terms and conditions stated in this bid.

Proposers are strongly encouraged to carefully read the entire invitation, as failure to return and/or complete all required documentation will result in a response being declared as non-responsive.

Deborah L. Clark, Purchasing Agent  
Jefferson County, Texas

**PUBLISH:**  
**Beaumont Enterprise & Port Arthur News:**  
January 18<sup>th</sup> & January 25<sup>th</sup>, 2023  
**The Examiner:**  
January 19, 2023

# TABLE OF CONTENTS

---

<b>TABLE OF CONTENTS</b> .....	<b>1</b>
<b>PROPOSAL SUBMITTAL CHECKLIST</b> .....	<b>3</b>
<b>SECTION 1. INTRODUCTION TO PROPOSERS AND GENERAL REQUIREMENTS</b> .....	<b>4</b>
1.1 Vendor Instructions .....	4
1.2 Governing Law .....	4
1.3 Ambiguity, Conflict, or Other Errors in RFP .....	4
1.4 Notification of Most Current Address .....	4
1.5 Proposal Preparation Cost.....	4
1.6 Signature of Proposal .....	4
1.7 Economy of Presentation .....	5
1.8 Proposal Obligation .....	5
1.9 Incorporation by Reference and Precedence .....	5
1.10 Governing Forms .....	5
1.11 Implied Requirements.....	5
1.12 Compliance with RFP Specifications .....	5
1.13 Vendor Registration: SAM (System for Award Management).....	5
1.14 FORM 1295 (Texas Ethics Commission) Requirement .....	6
<b>SAMPLE OF COMPLETED FORM 1295</b> .....	<b>7</b>
<b>FORM 1295 (INSERTION PAGE)</b> .....	<b>8</b>
1.15 Emergency/Declared Disaster Requirements .....	9
1.16 Evaluation .....	9
1.17 Withdrawal of Proposal .....	9
1.18 Minority-Women Business Enterprise Participation.....	9
1.19 Award.....	9
1.20 Ownership of Proposal .....	9
1.21 Disqualification of Proposal .....	9
1.22 Contractual Development.....	9
1.23 Assignment .....	10
1.24 Contract Obligation .....	10
1.25 Termination .....	10
1.26 Inspections.....	10
1.27 Testing.....	10
1.28 Loss, Damage, or Claim .....	10
1.29 Taxes .....	10
1.30 Non-Discrimination .....	10
1.31 Conflict of Interest.....	10
1.32 Confidentiality/Proprietary Information .....	11
1.33 Waiver of Subrogation .....	11
1.34 Acknowledgment of Insurance Requirements .....	11
1.35 Insurance Requirements .....	11
1.36 Workers Compensation Insurance .....	12
<b>CERTIFICATE OF INSURANCE (INSERTION PAGE)</b> .....	<b>14</b>
<b>SECTION 2. FEMA MANDATED CONTRACT PROVISIONS</b> .....	<b>15</b>
BYRD ANTI-LOBBYING CERTIFICATION FORM .....	30
DEBARMENT/SUSPENSION CERTIFICATION .....	31
CIVIL RIGHTS COMPLIANCE PROVISIONS .....	32

**TABLE OF CONTENTS (CONTINUED)**

---

**SECTION 3. PROPOSAL SUBMISSION INSTRUCTIONS AND SPECIAL REQUIREMENTS** ..... 34

3.1 Submission of Proposal ..... 34

3.2 Pre-Proposal Conference ..... 35

3.3 Questions and Deadline for Question(s) Submission ..... 35

3.4 Tentative Schedule of Events ..... 36

**SECTION 4. PROPOSAL FORMAT REQUIREMENTS** ..... 37

4.1 Introduction to Proposal Format Requirements ..... 37

4.2 Organization of Proposal Contents ..... 37

4.3 Transmittal Letter ..... 37

4.4 Table of Contents ..... 37

4.5 Executive Summary ..... 38

4.6 Proposer Identifying Information ..... 38

4.7 Proposer Personnel and Organization ..... 38

**SECTION 5. PROJECT OBJECTIVE AND SCOPE OF SERVICES** ..... 40

**SECTION 6. PROPOSAL REQUIREMENTS** ..... 44

6.1 Objective ..... 44

6.2 Proposer Experience ..... 44

6.3 Type of Services Provided ..... 44

6.4 Laws and Regulations ..... 44

**SECTION 7. PROPOSAL EVALUATION AND SELECTION PROCESS** ..... 45

7.1 Introduction ..... 45

7.2 Cost Proposal ..... 45

7.3 Evaluation Committee ..... 45

7.4 Evaluation Process ..... 45

7.5 Proposal Evaluation Criteria ..... 46

**ADDENDA (INSERTION PAGE)** ..... **47**

COST PROPOSAL FORM ..... 48

NON-DISCLOSURE AGREEMENT ..... 49

RESPONDENT INFORMATION FORM ..... 50

VENDOR REFERENCES FORM ..... 51

SIGNATURE PAGE ..... 52

CERTIFICATION REGARDING LOBBYING ..... 53

DISCLOSURE OF LOBBYING (SF-LLL) FORM (W/COMPLETION INSTRUCTIONS) ..... 54

DISCLOSURE OF LOBBYING ACTIVITIES FORM ..... 55

CONFLICT OF INTEREST QUESTIONNAIRE ..... 56

GOOD FAITH EFFORT (GFE) ..... 59

NOTICE OF INTENT (NOI) ..... 60

SUBCONTRACTOR PARTICIPATION DECLARATION FORM (HUB) ..... 61

RESIDENCE CERTIFICATION/TAX FORM ..... 65

HOUSE BILL 89 VERIFICATION ..... 66

SENATE BILL 252 CERTIFICATION ..... 67

RFP AFFIDAVIT ..... 68

## PROPOSAL SUBMITTAL CHECKLIST

**REQUIRED FORM  
Proposer:  
Please complete this  
form and include with  
proposal submission.**

The Proposer's attention is especially called to the items listed below, which must be submitted in full as part of the proposal.

Failure to submit any of the documents listed below as a part of your proposal, or failure to acknowledge any addendum in writing with your proposal, or submitting a proposal on any condition, limitation, or provision not officially invited in this Request for Proposal (RFP) may cause for rejection of the proposal.

Proposer shall check each box indicating compliance.

### THE ITEMS ON THE CHECKLIST BELOW MUST BE INCLUDED IN YOUR PROPOSAL SUBMISSION.

- Cover sheet identifying the contract/project being proposed, the name and address of the Proposer, the date of the proposal, and the email address, telephone, and facsimile numbers of Proposer.
- An acknowledgment and/or response to each section of the proposal.
- Form of business (e.g., corporation, sole proprietorship, partnership); if corporation the date and state of incorporation.
- Identification of three (3) entities for which the Proposer is providing or has provided Type of Services Here of the type requested, including the name, position, and telephone number of a contact person at each entity.
- Completed and Signed FORM 1295.
- Copy of Certificate of Insurance (COI). The COI at a minimum should reflect your firm/company's general insurance coverage.
- Identification of all legal claims, demands, contracts terminated or lawsuits filed, threatened, or pending against the Proposer and/or its principal/officers for the last three (3) years, as well as identification of any administrative actions or warnings taken or issued by any federal, state, or local governmental agency to Proposer and/or its principals/officers with regard to the provision of the same or similar service as covered by this RFP, or the payment of monies under the terms of any agreement(s) relating to such services.
- One (1) Original and three (3) Response Copies; with all copies to include a Completed Copy of this specifications packet, in its entirety.**

Each Proposer shall ensure that required parts of the response are completed with accuracy and submitted as per the requirements within this specifications packet, including any addenda.

**Failure to return and/or complete all required documentation will result in a response being declared as non-responsive.**

**Please read the "Proposal Submittal Checklist" included in this package.**

_____ Company	_____ Telephone Number
_____ Address	_____ Fax Number
_____ Authorized Representative (Please print)	_____ Title
_____ Authorized Signature	_____ Date

## **SECTION 1: INTRODUCTION TO PROPOSERS AND GENERAL REQUIREMENTS**

---

This Request for Proposal (RFP) is to receive proposals from qualified firms regarding services for Automated Teller Machines (ATM) Installation & Operation.

The following items are provided as general information and specifications as required by the Jefferson County Purchasing Department.

### **1.1 VENDOR INSTRUCTIONS**

Read the document carefully. Follow all instructions. Proposer is responsible for fulfilling all requirements and specifications. It is imperative

General Requirements apply to all advertised requests for proposals; however, these may be superseded, whole or in part, by the Scope of Services, Guidelines and Specifications, Requested Responses and Information, or other data contained herein. Be sure your proposal package is complete.

### **1.2 GOVERNING LAW**

Proposer is advised that these requirements shall be fully governed by the laws of the State of Texas and that Jefferson County may request and rely on advice, decisions, and opinions of the Attorney General of Texas and the County Attorney concerning any portion of these requirements.

### **1.3 AMBIGUITY, CONFLICT, OR OTHER ERRORS IN THE RFP**

If Proposer discovers any ambiguity, conflict, discrepancy, omission or other error in the RFP, Proposer shall immediately notify the County of such error in writing and request modification or clarification of the document. Modifications will be made by issuing Addenda. Written notice will be given to all parties who have been furnished with the RFP without divulging the source of the request for the same. If the Proposer fails to notify the County prior to the date and time fixed for submission of proposals of an error or ambiguity in the RFP known to Proposer, or an error or ambiguity that reasonably should have been known to Proposer, then Proposer shall not be entitled to compensation or additional time by reason of the error or ambiguity or its later resolution.

The County may also modify the RFP, no later than 48 hours prior to the date and time fixed for submission of proposals, by issuance of an Addendum to all parties who have received the RFP. All addenda will be numbered consecutively, beginning with 1.

### **1.4 NOTIFICATION OF MOST CURRENT ADDRESS**

Firms in receipt of this RFP shall notify Deborah L. Clark, Jefferson County Purchasing Agent, of any address changes, contact person changes, and/or telephone number changes no later than 48 hours prior to the date and time fixed for submission of proposals.

### **1.5 PROPOSAL PREPARATION COST**

Cost for developing proposals is entirely the responsibility of Proposers and shall not be charged to Jefferson County.

### **1.6 SIGNATURE OF PROPOSAL**

A transmittal letter, which shall be considered an integral part of the proposal, shall be signed by an individual who is authorized to bind the Proposer contractually. If the Proposer is a corporation, the legal name of the corporation shall be provided together with the signature of the officer or officers authorized to sign on behalf of the corporation.

If the Proposer is a partnership, the true name of the firm shall be provided with the signature of the partner or partners authorized to sign.

If the Proposer is an individual, that individual shall sign. If signature is by an agent, other than an officer of a corporation or a member of a partnership, a power of attorney or equivalent document must be submitted to the Jefferson County Purchasing Department prior to the submission of the proposal or with the proposal.

#### **1.7 ECONOMY OF PRESENTATION**

Proposals shall not contain promotional or display materials, except as they may directly answer in whole or in part questions contained in the RFP. Such exhibits shall be clearly marked with the applicable reference number of the question in the RFP. Proposals must address the technical requirements as specified in the RFP. All questions posed by the RFP must be answered concisely and clearly. Proposals that do not address each criterion may be rejected and not considered.

#### **1.8 PROPOSAL OBLIGATION**

The contents of the proposal and any clarification thereof submitted by the selected Proposer shall become part of the contractual obligation and incorporated by reference into the ensuing contract.

#### **1.9 INCORPORATION BY REFERENCE AND PRECEDENCE**

This Agreement is derived from (1) the RFP, written clarifications to the RFP and County's response to questions; (2) the Contractor's Best and Final Offer, and (3) the Contractor's response to the RFP.

In the event of a dispute under this Agreement, applicable documents will be referred to for the purpose of clarification or for additional detail in the following order of precedence: (1) Amendments to the Agreement in reverse chronological order; (2) the Agreement, including the Scope of Work; (3) the Contractor's Best and Final Offer; (4) the RFP, including attachments thereto and written responses to questions and written clarifications; and (5) the Contractor's response to the RFP.

#### **1.10 GOVERNING FORMS**

In the event of any conflict between the terms and provisions of these requirements and the specifications, the specifications shall govern. In the event of any conflict of interpretation of any part of this overall document, Jefferson County's interpretation shall govern.

#### **1.11 IMPLIED REQUIREMENTS**

Products and services not specifically mentioned in the RFP, but which are necessary to provide the functional capabilities described by the Proposer, shall be included in the proposal.

#### **1.12 COMPLIANCE WITH RFP SPECIFICATIONS**

**It is intended that this Request for Proposals (RFP) describe the requirements and the response format in sufficient detail to secure comparable proposals. Failure to comply with all provisions of the RFP will result in disqualification.**

#### **1.13 VENDOR REGISTRATION: SAM (SYSTEM FOR AWARD MANAGEMENT)**

Vendors doing business with Jefferson County are required to be registered with The System for Award Management (SAM), with an "active" status. The System for Award Management (SAM) is the Official U.S. Government system that consolidated the capabilities of CCR/FedReg, ORCA, and EPLS. There is NO fee to register for this site. Entities may register at no cost directly from the SAM website at: <https://www.sam.gov>

In instances where a vendor has either an "Inactive" SAM Registration or is not currently registered with the System for Award Management, the Purchasing Department may *initially* accept proof (printout from the SAM website) that the vendor has begun the registration process in order for the IFB/RFQ/RFP submission to be considered as "responsive" to the specifications for the project.

**However, the SAM Registration must be completed (showing "active" status, with no exclusions) prior to the award and/or execution of an agreement or contract for the project.**

## 1.14 FORM 1295 (TEXAS ETHICS COMMISSION)

### **FORM 1295 SUBMISSION REQUIREMENT/INSTRUCTIONS FOR RFP PROPOSERS:**

ALL NON-EXEMPT PROPOSERS ARE REQUIRED TO SUBMIT COMPLETED FORM 1295 WITH PROPOSAL SUBMISSION.

#### **INSTRUCTIONS:**

**(1) Submit a FORM 1295 online via the Texas Ethics Commission website link below.**

*Vendors must enter the required information on Form 1295, and print a copy of the completed form.*

*The form will include a certification of filing that will contain a unique certification number.*

**2. Submit a FORM 1295 hard copy (completed & signed by an Authorized Agent of the Awarded Vendor), to the Jefferson County Purchasing Department WITH RFP PROPOSAL SUBMISSION.**

**FORM 1295, Completion Instructions, and Login Instructions are available via the Texas Ethics Commission Website at: [https://www.ethics.state.tx.us/whatsnew/elf\\_info\\_form1295.htm](https://www.ethics.state.tx.us/whatsnew/elf_info_form1295.htm)**

**SAMPLE: A sample of a completed FORM 1295 is included on PAGE 7.**

#### **FORM 1295 Implementation Background:**

In accordance with House Bill 1295 (passed January 1, 2016), Vendors entering into contracts and professional agreements with Jefferson County will be required to complete a Certificate of Interested Parties (FORM 1295), **unless contract is considered exempt as described below.**

In 2017, the Texas legislature amended the law to require Form 1295 to include an “unsworn declaration” which includes, among other things, the date of birth and address of the authorized representative signing the form. The unsworn declaration, including the date of birth and address of the signatory, replaces the notary requirement that applied to contracts entered into before January 1, 2018. The TEC filing application does not capture the date of birth or street address of the signatory and it will not appear on forms that are filed using the TEC filing application.

Changes to the law requiring certain businesses to file a Form 1295 are in effect for contracts entered into or amended on or after January 1, 2018. The changes exempt businesses from filing a Form 1295 for certain types of contracts and replace the need for a completed Form 1295 to be notarized. Instead, the person filing a 1295 needs to complete an “unsworn declaration.”

#### **FORM 1295 EXEMPTIONS:**

What type of contracts are exempt from the Form 1295 filing requirement under the amended law?

The amended law adds to the list of types of contract exempt from the Form 1295 filing requirement.

#### **A completed Form 1295 is not required for:**

- a sponsored research contract of an institution of higher education
- an interagency contract of a state agency or an institution of higher education
- a contract related to health and human services if: the value of the contract cannot be determined at the time the contract is executed; and o any qualified vendor is eligible for the contract
- a contract with a publicly traded business entity, including a wholly owned subsidiary of the business entity
- a contract with an electric utility, as that term is defined by Section 31.002, Utilities Code
- a contract with a gas utility, as that term is defined by Section 121.001, Utilities Code

<b>CERTIFICATE OF INTERESTED PARTIES</b>		<b>FORM 1295</b>																											
<p>Complete Nos. 1 - 4 and 6 if there are interested parties.                      Complete Nos. 1, 2, 3, 5, and 6 if there are no interested parties.</p>		<p><b>OFFICE USE ONLY</b></p>																											
<p><b>1 Name of business entity filing form, and the city, state and country of the business entity's place of business.</b>                      **YOUR FIRM NAME HERE**</p>																													
<p><b>2 Name of governmental entity or state agency that is a party to the contract for which the form is being filed.</b>                      **JEFFERSON COUNTY, TEXAS*</p>																													
<p><b>3 Provide the identification number used by the governmental entity or state agency to track or identify the contract, and provide a description of the services, goods, or other property to be provided under the contract.</b>                      **BID/CONTRACT/PO NUMBER GOES HERE**</p>																													
<p><b>4</b></p> <table border="1" style="width: 100%; border-collapse: collapse;"> <thead> <tr> <th rowspan="2" style="width: 35%; padding: 5px;">Name of Interested Party</th> <th rowspan="2" style="width: 25%; padding: 5px;">City, State, Country (place of business)</th> <th colspan="2" style="width: 40%; padding: 5px;">Nature of Interest (check applicable)</th> </tr> <tr> <th style="width: 15%; padding: 5px;">Controlling</th> <th style="width: 15%; padding: 5px;">Intermediary</th> </tr> </thead> <tbody> <tr> <td style="padding: 5px;">**NAME OF PERSON/PERSONS THAT OWN BUSINESS GOES HERE - MUST LIST ANY PERSON THAT DOES NOT WORK FOR THE COMPANY LISTED IN #1 THAT WILL PROFIT FROM THE BID/CONTRACT/PO**</td> <td></td> <td></td> <td></td> </tr> <tr> <td style="height: 20px;"></td> <td></td> <td></td> <td></td> </tr> <tr> <td style="height: 20px;"></td> <td></td> <td></td> <td></td> </tr> <tr> <td style="height: 20px;"></td> <td></td> <td></td> <td></td> </tr> <tr> <td style="height: 20px;"></td> <td></td> <td></td> <td></td> </tr> </tbody> </table>		Name of Interested Party	City, State, Country (place of business)	Nature of Interest (check applicable)		Controlling	Intermediary	**NAME OF PERSON/PERSONS THAT OWN BUSINESS GOES HERE - MUST LIST ANY PERSON THAT DOES NOT WORK FOR THE COMPANY LISTED IN #1 THAT WILL PROFIT FROM THE BID/CONTRACT/PO**																				<p><b>5</b> Check only if there is <b>NO</b> Interested Party. <input type="checkbox"/> <b>**ONLY CHECK IF NO CONTROLLING OR INTERMEDIARY PARTY**</b></p>	
Name of Interested Party	City, State, Country (place of business)			Nature of Interest (check applicable)																									
		Controlling	Intermediary																										
**NAME OF PERSON/PERSONS THAT OWN BUSINESS GOES HERE - MUST LIST ANY PERSON THAT DOES NOT WORK FOR THE COMPANY LISTED IN #1 THAT WILL PROFIT FROM THE BID/CONTRACT/PO**																													
<p><b>6 UNSWORN DECLARATION</b> Vendor is to complete #6 - Unsworn Declaration</p> <p>My name is _____, and my date of birth is _____.</p> <p>My address _____ (street) _____ (city) _____ (state) _____ (zip code) _____ (country)</p> <p>I declare under penalty of perjury that the foregoing is true and correct.</p> <p>Executed in _____ County, State of _____, on the _____ day of _____, 20____.</p> <p style="text-align: right;">_____ Signature of authorized agent of contracting business entity (Declarant)</p>																													
<p><b>ADD ADDITIONAL PAGES AS NECESSARY</b></p>																													



**PROPOSER: INSERT COMPLETED FORM 1295 BEHIND THIS PAGE.**

### **1.15 EMERGENCY/DECLARED DISASTER REQUIREMENTS**

In the event of an emergency or if Jefferson County is declared a disaster area, by the County, State, or Federal Government, a contract (executed in response to this Request for Proposal) may be subjected to unusual usage. Contractor shall service the County during such an emergency or declared disaster under the same terms and conditions that apply during non-emergency/disaster conditions. The pricing as specified in the contract shall apply to serving the County's needs regardless of the circumstances. If Contractor is unable to supply the services under the terms of the contract, then Contractor shall provide proof of such disruption and a copy of the invoice from Contractor's supplier(s). Additional profit margin as a result of supplying services during an emergency or declared disaster shall not be permitted. In the event that additional equipment, supplies, and materials are required during the declared disaster, additional shipping, handling and drayage fees may apply.

### **1.16 EVALUATION**

Jefferson County reserves the right to use all pertinent information (also learned from sources other than disclosed in the RFP process) that might affect the County's judgment as to the appropriateness of an award to the best evaluated Proposer. This information may be appended to the proposal evaluation process results. Information on a service provider from reliable sources, and not within the service provider's proposal, may also be noted and made part of the evaluation file. Jefferson County shall have sole responsibility for determining a reliable source. Jefferson County reserves the right to conduct written and/or oral discussions/interviews after the proposal opening. The purpose of such discussions/interviews is to provide clarification and/or additional information to make an award in the best interest of Jefferson County.

### **1.17 WITHDRAWAL OF PROPOSAL**

The Proposer may withdraw its proposal by submitting a written request over the signature of an authorized individual, as described in paragraph 1.6, to the Purchasing Department any time prior to the submission deadline. The Proposer may thereafter submit a new proposal prior to the deadline. Modification or withdrawal of the proposal in any manner, oral or written, will not be considered if submitted after the deadline.

### **1.18 MINORITY-WOMEN BUSINESS ENTERPRISE PARTICIPATION**

It is the desire of Jefferson County to increase the participation of Minority (MBE) and women-owned (WBE) businesses in its contracting and procurement programs. While the County does not have any preference or set aside programs in place, it is committed to a policy of equitable participation for these firms.

### **1.19 AWARD**

Jefferson County reserves the right to award this contract on the basis of the **Best Offer** in accordance with the laws of Texas, to waive any formality or irregularity, to make award to more than one Proposer, and/or to reject any or all proposals. In the event the highest dollar Proposer meeting specifications is not awarded a contract, the Proposer may appear before Commissioners' Court and present evidence concerning his responsibility.

### **1.20 OWNERSHIP OF PROPOSAL**

All proposals become the property of Jefferson County and will not be returned to Proposers.

### **1.21 DISQUALIFICATION OF PROPOSAL**

Upon signing this proposal document, a contractor offering to sell supplies, materials, services, or equipment to Jefferson County certifies that the Proposer has not violated the antitrust laws of this state codified in Section 15.01, et seq, Business & Commerce Code, or the Federal Antitrust Laws, and has not communicated directly or indirectly the offer made to any competitor or any other person engaged in such line of business. Any or all proposals may be rejected if the County believes that collusion exists among the Proposers.

### **1.22 CONTRACTUAL DEVELOPMENT**

The contents of the RFP and the selected proposal will become an integral part of the contract, but may be modified by provisions of the contract as negotiated. Therefore, the Proposer must be amenable to inclusion in a contract of any information provided (in writing) either in response to this RFP or subsequently during the selection process.

### **1.23 ASSIGNMENT**

The selected vendor may not assign, sell, or otherwise transfer this contract without written permission of the Jefferson County Commissioners' Court.

### **1.24 CONTRACT OBLIGATION**

Jefferson County Commissioners' Court must award the contract, and the County Judge or other person authorized by Jefferson County Commissioners' Court must sign the contract before it becomes binding on Jefferson County or the Proposer. **Department heads are not authorized to sign agreements for Jefferson County.** Binding agreements shall remain in effect until all products and/or services covered by this proposal have been satisfactorily delivered and accepted.

### **1.25 TERMINATION**

Jefferson County reserves the right to terminate the contract for default if the awarded vendor breached any of the terms therein, including warranties of proposal, or if the Proposer becomes insolvent or commits acts of bankruptcy. Such right of termination is in addition to and not in lieu of any other remedies Jefferson County may have in law or equity. Default may be construed as, but not limited to, failure to deliver the proper goods and/or services within the proper amount of time, and/or to properly perform any and all other requirements to Jefferson County's satisfaction, and/or to meet all other obligations and requirements. Contracts may be terminated without cause upon thirty (30) days' written notice to either party unless otherwise specified.

### **1.26 INSPECTIONS**

Jefferson County reserves the right to inspect any item(s) or service location(s) for compliance with specifications and requirements and needs of the using department. If a proposal cannot furnish a sample of a proposed item, where applicable, for review, or fails to satisfactorily show an ability to perform, the County can reject the Proposer as inadequate.

### **1.27 TESTING**

Jefferson County reserves the right to test equipment, supplies, material and goods proposed for quality, compliance with specifications, and ability to meet the needs of the user. Demonstration units must be available for review. Should the goods or services fail to meet requirements and/or be unavailable for evaluation, the offer is subject to rejection.

### **1.28 LOSS, DAMAGE, OR CLAIM**

The Proposer shall totally indemnify Jefferson County against all claims by its employees, agents, or representatives or personal injury arising from any cause. In addition, the Proposer shall totally indemnify Jefferson County against all claims of loss or damage to the Proposer's and Jefferson County's property, equipment, and/or supplies.

### **1.29 TAXES**

The contractor and its subcontractors, agents and employees, as the case may be, will be responsible for the payment of all federal, state and local taxes, and deposits or contributions imposed or required by law.

### **1.30 NON-DISCRIMINATION**

The successful Proposer will be required to comply with the Americans With Disabilities Act and with all provisions of federal, state, county and local (if any) laws and regulations to ensure that no employee or applicant for employment is discriminated against because of race, color, religion, sex, age, handicap or national origin.

### **1.31 CONFLICT OF INTEREST**

The agreement entered into pursuant to this RFP will contain the Contractor's warranty that, except for bona-fide employees or selling agents maintained by the Contractor for the purpose of securing business, no person or selling agency has been employed or retained to solicit this contract upon an agreement or understanding for commission, percentage or contingency.

Further, the contractor will warrant that no kickbacks, gratuities, or contingency fees have been paid in connection with this RFP or contract and none has been promised contingent upon the award of contract. And, will still further (RFP 23-007/MR) Automated Teller Machines (ATM) Installation & Operation for Jefferson County

warrant that to its knowledge and best belief, no one being paid under the agreement between the County and the contractor, is engaged in any activities which would constitute a conflict of interest with respect to the purposes of said agreement.

By submitting a proposal in response to this RFP, all Proposers affirm that they have not given, nor intend to give, at any time hereafter any economic opportunity, future employment, gift, loan, gratuity, special discount, trip, favor, or service to a public servant or any employee or representative of same, in connection with this procurement.

**Each Proposer must disclose any existing or potential conflict of interest relative to the performance of the requirements of this RFP.** Examples of potential conflicts may include an existing business or personal relationship between the Proposer, its principal, or any affiliate or subcontractor, with the County or any other entity or person involved in any way in the project that is the subject of this RFP. Similarly, any personal or business relationship between the Proposer, the principals, or any affiliate or subcontractor, with any employee of the County or its suppliers must be disclosed. **Any such relationship that might be perceived or represented as a conflict must be disclosed. Failure to disclose any such relationship or reveal personal relationships with state employees may be cause for contract termination. The County will decide if an actual or perceived conflict should result in proposal disqualification.**

### **1.32 CONFIDENTIAL/PROPRIETARY INFORMATION**

If any material in the proposal submission is considered by Proposer to be confidential or proprietary information (including manufacturing and/or design processes exclusive to the Proposer), **Proposer must clearly mark the applicable pages of Proposer's proposal submission to indicate each claim of confidentiality. Additionally, Proposer must include a statement on company letterhead identifying all Proposal section(s) and page(s) that have been marked as confidential.** Jefferson County will protect from public disclosure such portions of a proposal, unless directed otherwise by legal authority, including existing open records acts. Merely making a blanket claim that the entire proposal submission is protected from disclosure because it contains some proprietary information is not acceptable, and will make the entire proposal submission subject to release under the Texas Public Information Act.

By submitting a proposal, Proposer agrees to reproduction by Jefferson County, without cost or liability, of any copyrighted portions of Proposer's proposal submission or other information submitted by Proposer.

### **1.33 WAIVER OF SUBROGATION**

Proposer and Proposer's Insurance Carrier waive any and all rights whatsoever with regard to subrogation against Jefferson County as an indirect party to any suit arising out of personal or property damages resulting from the Proposer's performance under this agreement.

### **1.34 ACKNOWLEDGEMENT OF INSURANCE REQUIREMENTS**

By signing its proposal, Proposer acknowledges that it has read and understands the insurance requirements for this proposal. Proposer also understands that evidence of required insurance must be submitted within fifteen (15) working days following notification of acceptance of its offer; otherwise, Jefferson County may rescind its acceptance of the Proposer's proposal. The insurance requirements are part of this package.

### **1.35 INSURANCE REQUIREMENTS**

The contractor (including any and all subcontractors as defined in Section 1.36 below) shall, at all times during the term of this contract, maintain insurance coverages with not less than the type and requirements shown below. Such insurance is to be provided at the sole cost of the contractor. These requirements do not establish limits of the contractor's liability. All policies of insurance shall waive all rights of subrogation against the County, its officers, employees and agents; a copy of the policy wording or endorsement is required.

Contractor shall furnish Jefferson County with Certificate of Insurance naming Jefferson County as additional insured and will provide the actual policy wording or endorsement showing as such.

All insurance must be written by an Insurer licensed to conduct business in the State of Texas.

**Minimum Insurance Requirements:**

Public, Liability, including Products & Completed Operations	\$1,000,000
Excess Liability	\$1,000,000

**Property Insurance (policy below that is applicable to this project):**

Improvements & Betterments Policy: Improvements/Remodeling (for Lease Tenants)  
Builder’s Risk Policy: Structural Coverage for Construction Projects  
Installation Floater Policy: Improvements/Alterations to Existing Structure

**Workers’ Compensation** Statutory Coverage (See Section 1.36 Below)

**1.36 WORKERS’ COMPENSATION INSURANCE**

**1.36.1 Definitions:**

1.36.1.1 **Certificate of coverage (“Certificate”)** – A copy of a certificate of insurance, a certificate of authority to self-insure issued by the commission, or a coverage agreement, DWC-81, DWC-82, DWC-83, or DWC-84 showing statutory workers’ compensation insurance coverage for the person’s or entity’s employees providing services on a project, for the duration of the project.

1.36.1.2 **Duration of the project** – Includes the time from the beginning of the work on the project until the contractor’s/person’s work on the project has been completed and accepted by the governmental entity.

1.36.1.3 **Persons providing services on the project (“subcontractor”) in article 406.096** – Includes all persons or entities performing all or part of the services under the contractor has undertaken to perform on the project, regardless of whether that person contracted directly with the contractor and regardless of whether that person has employees. This includes, without limitation, independent contractors, subcontractor, leasing companies, motor carriers, owner-operators, employees of any such entity, or employees of any entity which furnishes persons to provide services on the project. “Services” includes, without limitation, providing, hauling or delivering equipment or materials, or providing labor, transportation, or other service related to a project. “Services” does not include activities unrelated to the project, such as food/beverage vendors, office supply deliveries, and delivery of portable toilets.

1.36.2 The Contractor shall provide coverage, based on proper reporting of classification code and payroll amounts and filing any coverage agreements, which meets the statutory requirements of Texas Labor Code, Section 401.011(44) for all employees of the contractor providing services on the project, for the duration of the project.

1.36.3 The Contractor must provide a certificate of coverage to the governmental entity prior to being awarded the contract – refer to Section 1.35 above.

1.36.4 If the coverage period shown on the Contractor’s current certificate of coverage ends during the duration of the project, the Contractor must, prior to the end of the coverage period, file a new certificate of coverage with the governmental entity showing that coverage has been extended.

1.36.5 The Contractor shall obtain from each person providing services on a project, and provide to the governmental entity:

1.36.5.1 A certificate of coverage, prior to that person beginning work on the project, so the governmental entity will have on file certificates of coverage showing coverage for all persons providing services on the project; and

1.36.5.2 No later than seven (7) days after receipt by the Contractor, a new certificate of coverage showing extension of coverage, if the coverage period shown on the current certificate ends during the duration of the project.

1.36.6 The Contractor shall retain all required certificates of coverage for the duration of the project and for one (1) year thereafter.

1.36.7 The Contractor shall notify the governmental entity in writing by certified mail or personal delivery, within ten (10) days after the contractor knew or should have known, of any change that materially affects the provision of coverage of any person providing services on the project.

1.36.8 The Contractor shall post on each project site a notice, in the text, form and manner prescribed by the Texas Department of Workers' Compensation, informing all persons providing services on the project that they are required to be covered, and stating how a person may verify coverage and report lack of coverage.

1.36.9 The Contractor shall contractually require each person with whom it contracts to provide services on a project to:

1.36.9.1 Provide coverage, based on reporting of classification codes and payroll amounts and filing of any coverage agreements, which meets the statutory requirements of Texas Labor Code, Section 401.011(44) for all its employees providing services on the project, for the duration of the project.

1.36.9.2 Provide to the Contractor, prior to that person beginning work on the project a certificate of coverage showing that coverage is being provided for all employees of the person providing services on the project, for the duration of the project.

1.36.9.3 Provide the Contractor, prior to the end of coverage period, a new certificate of coverage showing extension of coverage, if the coverage period shown on the current certificate of coverage ends during the duration of the project.

1.36.9.4 Obtain from each person with whom it contracts, and provide to the Contractor:

1.36.9.4.1 A certificate of coverage, prior to the other person beginning work on the project; and

1.36.9.4.2 The coverage period, if the coverage period shown on the current certificate of a new certificate of coverage showing extension of coverage, prior to the end of coverage ends during the duration of the project.

1.36.9.5 Retain all required certificates of coverage on file for the duration of the project and for one (1) year thereafter.

1.36.9.6 Notify the governmental entity in writing by certified mail or personal delivery, within ten (10) days after the person knew or should have known, of any change that materially affects the provision of coverage of any person providing services on the project; and

1.36.9.7 Contractually require each person with whom it contracts to perform as required by paragraphs 1.36.1. – 1.36.7., with the certificates of coverage to be provided to the person for whom they are providing services.

1.36.10 By signing this contract or providing or causing to be provided a certificate of coverage, the Contractor is representing to the governmental entity that all employees of the contractor who will provide services of the project will be covered by workers' compensation coverage for the duration of the project, that the coverage will be based on proper reporting of classification codes and payroll amounts, and that all coverage agreements will be filed with the appropriate insurance carrier or, in the case of a self-insured, with the commission's Division of Self-Insurance Regulation. Providing false or misleading information may subject the contractor to administrative penalties, criminal penalties, civil penalties, or other civil actions.

1.36.11 The Contractor's failure to comply with any of these provisions is a breach of contract by the Contractor which entitles the governmental entity to declare the contract void if the Contractor does not remedy the breach within ten (10) days after receipt of notice of breach from the governmental entity.

**PROPOSER: INSERT COPY OF CERTIFICATE OF INSURANCE (COI) BEHIND THIS PAGE.**

Note: For proposal purposes, a general COI will suffice. However, a COI that includes the notation that “Jefferson County as an additional insured” will be required from Awarded Proposer(s) prior to the issuance of a Purchase Order.

**SECTION 2: FEDERAL EMERGENCY MANAGEMENT AGENCY (FEMA)  
MANDATED CONTRACT PROVISIONS FOR NON-FEDERAL ENTITY UNDER FEDERAL AWARDS  
REQUIRED BY 2 C.F.R. §200.326 APPENDIX II TO 2 CFR §200**

(REVISED JUNE 2022)

**REMEDIES**

(For all awarded contracts with a value greater than \$150,000.00)

Any violation or breach of terms of this contract on the part of the Contractor or the Contractor's subcontractors may result in the suspension or termination of this contract or such other action that may be necessary to enforce the rights of the parties of this contract. The duties and obligations imposed by the contract documents and the rights and remedies available thereunder shall be in addition to and not a limitation of any duties, obligations, rights and remedies otherwise imposed or available by law. Any violation or breach of terms of this contract of the Contractor or the Contractor's sub-contractors will be subject to the remedies, including liquidated damages, described in the RFP specifications or Request for Proposal and the Client rules and regulations and special conditions which are incorporated herein by reference in their entirety.

**TERMINATION FOR CAUSE AND CONVENIENCE**

(For all awarded contracts with a value greater than \$10,000.00)

The Client reserves the right to terminate this contract for cause or convenience pursuant to the rules and regulations and special conditions which are incorporated herein by reference in their entirety.

**EQUAL EMPLOYMENT OPPORTUNITY**

(For all awarded contracts that meet the definition of "federally assisted construction contract" provided in 41 CFR Part 60-1.3) **Contractor must complete enclosed certification**

During the performance of this contract, the contractor agrees as follows:

1. The contractor will not discriminate against any employee or applicant for employment because of race, color, religion, sex, sexual orientation, gender identity, or national origin. The contractor will take affirmative action to ensure that applicants are employed, and that employees are treated during employment without regard to their race, color, religion, sex, sexual orientation, gender identity, or national origin. Such action shall include, but not be limited to the following:

Employment, upgrading, demotion, or transfer; recruitment or recruitment advertising; layoff or termination rates of pay or other forms of compensation; and selection for training, including apprenticeship. The contractor agrees to post in conspicuous places, available to employees and applicants for employment, notices to be provided setting forth the provisions of this non-discrimination clause.

2. The contractor will, in all solicitations or advertisements for employees placed by or on behalf of the contractor, state that all qualified applicants will receive consideration for employment without regard to race, color, religion, sex, sexual orientation, gender identity, or national origin.

3. The contractor will not discharge or in any other manner discriminate against any employee or applicant for employment because such employee or applicant has inquired about, discussed, or disclosed the compensation of the employee or applicant or another employee or applicant. This provision shall not apply to instances in which an employee who has access to the compensation information of other employees or applicants as a part of such employee's essential job functions discloses the compensation of such other employees or applicants to individuals who do not otherwise have access to such information, unless such disclosure is in response to a formal complaint or charge, in furtherance of an investigation, proceeding, hearing, or action, including an investigation conducted by the employer, or is consistent with the contractor's legal duty to furnish information.



4. The contractor will send to each labor union or representative of workers with which he has a collective bargaining agreement or other contract or understanding, a notice to be provided advising the said labor union or workers' representatives of the contractor's commitments under this section, and shall post copies of the notice in conspicuous places available to employees and applicants for employment.

5. The contractor will comply with all provisions of Executive Order 11246 of September 24, 1965, and of the rules, regulations, and relevant orders of the Secretary of Labor.

6. The contractor will furnish all information and reports required by Executive Order 11246 of September 24, 1965, and by rules, regulations, and orders of the Secretary of Labor, or pursuant thereto, and will permit access to his books, records, and accounts by the administering agency and the Secretary of Labor for purposes of investigation to ascertain compliance with such rules, regulations, and orders.

7. In the event of the contractor's noncompliance with the nondiscrimination clauses of this contract or with any of the said rules, regulations, or orders this contract may be canceled, terminated, or suspended in whole or in part and the contractor may be declared ineligible for further Government contracts or federally assisted construction contracts in accordance with procedures authorized in Executive Order 11246 of September 24, 1965, and such other sanctions may be imposed and remedies invoked as provided in Executive Order 11246 of September 24, 1965, or by rule, regulation, or order of the Secretary of Labor, or as otherwise provided by law.

8. The contractor will include the portion of the sentence immediately preceding paragraph (1) and the provisions of paragraphs (1) through (8) in every subcontract or purchase order unless exempted by rules, regulations, or orders of the Secretary of Labor issued pursuant to section 204 of Executive Order 11246 of September 24, 1965, so that such provisions will be binding upon each subcontractor or vendor. The contractor will take such action with respect to any subcontract or purchase order as the administering agency may direct as a means of enforcing such provisions, including sanctions for noncompliance:

Provided, however, that in the event a contractor becomes involved in, or is threatened with, litigation with a subcontractor or vendor as a result of such direction by the administering agency, the contractor may request the United States to enter into such litigation to protect the interests of the United States.

The applicant further agrees that it will be bound by the above equal opportunity clause with respect to its own employment practices when it participates in federally assisted construction work: Provided, that if the applicant so participating is a State or local government, the above equal opportunity clause is not applicable to any agency, instrumentality or subdivision of such government which does not participate in work on or under the contract.

The applicant agrees that it will assist and cooperate actively with the administering agency and the Secretary of Labor in obtaining the compliance of contractors and subcontractors with the equal opportunity clause and the rules, regulations, and relevant orders of the Secretary of Labor, that it will furnish the administering agency and the Secretary of Labor such information as they may require for the supervision of such compliance, and that it will otherwise assist the administering agency in the discharge of the agency's primary responsibility for securing compliance.

The applicant further agrees that it will refrain from entering into any contract or contract modification subject to Executive Order 11246 of September 24, 1965, with a contractor debarred from, or who has not demonstrated eligibility for, Government contracts and federally assisted construction contracts pursuant to the Executive Order and will carry out such sanctions and penalties for violation of the equal opportunity clause as may be imposed upon contractors and subcontractors by the administering agency or the Secretary of Labor pursuant to Part II, Subpart D of the Executive Order. In addition, the applicant agrees that if it fails or refuses to comply with these undertakings, the administering agency may take any or all of the following actions: Cancel, terminate, or suspend in whole or in part this grant (contract, loan, insurance, guarantee); refrain from extending any further assistance to the applicant under the program with respect to which the failure or refund occurred until satisfactory assurance of future compliance has been received from such applicant; and refer the case to the Department of Justice for appropriate legal proceedings.

## **DAVIS-BACON ACT AND COPELAND "ANTI-KICKBACK" ACT**

(The Davis-Bacon Act only applies to the Emergency Management Preparedness Grant Program, Homeland Security Grant Program, Nonprofit Security Grant Program, Tribal Homeland Security Grant Program, Port Security Grant Program, and Transit Security Grant Program. It DOES NOT apply to other FEMA grant and cooperative agreement programs, including the Public Assistance Program.

### **1. *Minimum wages.***

- i. All laborers and mechanics employed or working upon the site of the work ( or under the United States Housing Act of 1937 or under the Housing Act of 1949 in the construction or development of the project), will be paid unconditionally and not less often than once a week, and without subsequent deduction or rebate on any account ( except such payroll deductions as are permitted by regulations issued by the Secretary of Labor under the Copeland Act (29 CFR part 3)), the full amount of wages and bona fide fringe benefits (or cash equivalents thereof) due at time of payment computed at rates not less than those contained in the wage determination of the Secretary of Labor which is attached hereto and made a part hereof, regardless of any contractual relationship which may be alleged to exist between the contractor and such laborers and mechanics.

Contributions made or costs reasonably anticipated for bona fide fringe benefits under section 1 (b)(2) of the Davis-Bacon Act on behalf of laborers or mechanics are considered wages paid to such laborers or mechanics, subject to the provisions of paragraph (a)(1)(iv) of this section; also, regular contributions made or costs incurred for more than a weekly period (but not less often than quarterly) under plans, funds, or programs which cover the particular weekly period, are deemed to be constructively made or incurred during such weekly period. Such laborers and mechanics shall be paid the appropriate wage rate and fringe benefits on the wage determination for the classification of work actually performed, without regard to skill, except as provided in §5.5(a)(4). Laborers or mechanics performing work in more than one classification may be compensated at the rate specified for each classification for the time actually worked therein: *Provided*, that the employer's payroll records accurately set forth the time spent in each classification in which work is performed. The wage determination (including any additional classification and wage rates conformed under paragraph (a)(1)(ii) of this section) and the Davis Bacon poster (WH-1321) shall be posted at all times by the contractor and its subcontractors at the site of the work in a prominent and accessible place where it can be easily seen by the workers.

- ii. (A) The contracting officer shall require that any class of laborers or mechanics, including helpers, which is not listed in the wage determination, and which is to be employed under the contract shall be classified in conformance with the wage determination. The contracting officer shall approve an additional classification and wage rate and fringe benefits therefore only when the following criteria have been met:
  - 1) The work to be performed by the classification requested is not performed by a classification in the wage determination; and
  - 2) The classification is utilized in the area by the construction industry; and
  - 3) The proposed wage rate, including any bona fide fringe benefits, bears a reasonable relationship to the wage rates contained in the wage determination.

(B) If the contractor and the laborers and mechanics to be employed in the classification (if known), or their representatives, and the contracting officer agree on the classification and wage rate (including the amount designated for fringe benefits where appropriate), a report of the action taken shall be sent by the contracting officer to the Administrator of the Wage and Hour Division, Employment Standards Administration, U.S. Department of Labor, Washington, DC 20210. The Administrator, or an authorized representative, will approve, modify, or disapprove every additional classification action within 30 days of receipt and so advise the contracting officer or will notify the contracting officer within the 30-day period that additional time is necessary.

(C) In the event the contractor, the laborers or mechanics to be employed in the classification or their representatives, and the contracting officer do not agree on the proposed classification and wage rate (including the amount designated for fringe benefits, where appropriate), the contracting officer shall refer the questions, including the views of all interested parties and the recommendation of the contracting officer, to the Administrator for determination. The Administrator, or an authorized representative, will issue a determination within 30 days of receipt and so advise the contracting officer or will notify the contracting officer within the 30-day period that additional time is necessary.

(D) The wage rate (including fringe benefits where appropriate) determined pursuant to paragraphs (a)(1)(ii) (B) or (C) of this section, shall be paid to all workers performing work in the classification under this contract from the first day on which work is performed in the classification.

- i. Whenever the minimum wage rate prescribed in the contract for a class of laborers or mechanics includes a fringe benefit which is not expressed as an hourly rate, the contractor shall either pay the benefit as stated in the wage determination or shall pay another bona fide fringe benefit or an hourly cash equivalent thereof.
- ii. If the contractor does not make payments to a trustee or other third person, the contractor may consider as part of the wages of any laborer or mechanic the amount of any costs reasonably anticipated in providing bona fide fringe benefits under a plan or program, *Provided*, That the Secretary of Labor has found, upon the written request of the contractor, that the applicable standards of the Davis-Bacon Act have been met. The Secretary of Labor may require the contractor to set aside in separate account assets for the meeting of obligations under the plan or program.

## **2. *Withholding.***

The Federal Agency and/or Client shall upon its own action or upon written request of an authorized representative of the Department of Labor withhold or cause to be withheld from the contractor under this contract or any other Federal contract with the same prime contractor, or any other federally-assisted contract subject to Davis-Bacon prevailing wage requirements, which is held by the same prime contractor, so much of the accrued payments or advances as may be considered necessary to pay laborers and mechanics, including apprentices, trainees, and helpers, employed by the contractor or any subcontractor the full amount of wages required by the contract. In the event of failure to pay any laborer or mechanic, including any apprentice, trainee, or helper, employed or working on the site of the work ( or under the United States Housing Act of 1937 or under the Housing Act of 1949 in the construction or development of the project), all or part of the wages required by the contract, the (Agency) may, after written notice to the contractor, sponsor, applicant, or owner, take such action as may be necessary to cause the suspension of any further payment, advance, or guarantee of funds until such violations have ceased.

## **3. *Payrolls and basic records.***

- i. Payrolls and basic records relating thereto shall be maintained by the contractor during the course of the work and preserved for a period of three years thereafter for all laborers and mechanics working at the site of the work (or under the United States Housing Act of 1937, or under the Housing Act of 1949, in the construction or development of the project). Such records shall contain the name, address, and social security number of each such worker, his or her correct classification, hourly rates of wages paid (including rates of contributions or costs anticipated for bona fide fringe benefits or cash equivalents thereof of the types described in section 1 (b) (2) (B) of the Davis-Bacon Act), daily and weekly number of hours worked, deductions made and actual wages paid. Whenever the Secretary of Labor has found under 29 CFR 5.5(a)(1)(iv) that the wages of any laborer or mechanic include the amount of any costs reasonably anticipated in providing benefits under a plan or program described in section 1(b)(2)(B) of the Davis-Bacon Act, the contractor shall maintain records which show that the commitment to provide such benefits is enforceable, that the plan or program is financially responsible, and that the plan or program has been communicated in writing to the laborers or mechanics affected, and records which show the costs anticipated or the actual cost incurred in providing such benefits. Contractors employing apprentices or trainees under approved programs shall of trainee programs, the registration of the apprentices and trainees, and the ratios and wage rates prescribed in the applicable programs.

- ii. (A) The contractor shall submit weekly for each week in which any contract work is performed a copy of all payrolls to the federal agency if the agency is a party to the contract, but if the agency is not such a party, the contractor will submit the payrolls to the applicant, sponsor, or owner, as the case may be, for transmission to the federal agency. The payrolls submitted shall set out accurately and completely all of the information required to be maintained under 29 CFR 5.5(a)(3)(i), except that full social security numbers and home addresses shall not be included on weekly transmittals. Instead the payrolls shall only need to include an individually identifying number for each employee (*e.g.*, the last four digits of the employee's social security number). The required weekly payroll information may be submitted in any form desired. Optional Form WH-347 is available for this purpose from the Wage and Hour Division Web site at <http://www.dol.gov/esa/whd/forms/wh347instr.htm> or its successor site. The prime contractor is responsible for the submission of copies of payrolls by all subcontractors. Contractors and subcontractors shall maintain the full social security number and current address of each covered worker, and shall provide them upon request to the federal agency if the agency is a party to the contract, but if the agency is not such a party, the contractor will submit them to the applicant, sponsor, or owner, as the case may be, for transmission to the federal agency, the contractor, or the Wage and Hour Division of the Department of Labor for purposes of an investigation or audit of compliance with prevailing wage requirements. It is not a violation of this section for a prime contractor to require a subcontractor to provide addresses and social security numbers to the prime contractor for its own records, without weekly submission to the sponsoring government agency (or the applicant, sponsor, or owner).

(B) Each payroll submitted shall be accompanied by a "Statement of Compliance," signed by the contractor or subcontractor or his or her agent who pays or supervises the payment of the persons employed under the contract and shall certify the following:

- 1) That the payroll for the payroll period contains the information required to be provided under §5.5 (a) (3) (ii) of Regulations, 29 CFR part 5, the appropriate information is being maintained under §5.5 (a) (3) (i) of Regulations, 29 CFR part 5, and that such information is correct and complete;
- 2) That each laborer or mechanic (including each helper, apprentice, and trainee) employed on the contract during the payroll period has been paid the full weekly wages earned, without rebate, either directly or indirectly, and that no deductions have been made either directly or indirectly from the full wages earned, other than permissible deductions as set forth in Regulations, 29 CFR part 3;
- 3) That each laborer or mechanic has been paid not less than the applicable wage rates and fringe benefits or cash equivalents for the classification of work performed, as specified in the applicable wage determination incorporated into the contract.

(C) The weekly submission of a properly executed certification set forth on the reverse side of Optional Form WH-347 shall satisfy the requirement for submission of the "Statement of Compliance" required by paragraph (a)(3)(ii)(B) of this section.

(D) The falsification of any of the above certifications may subject the contractor or subcontractor to civil or criminal prosecution under section 1001 of title 18 and section 231 of title 31 of the United States Code.

- i. The contractor or subcontractor shall make the records required under paragraph (a)(3)(i) of this section available for inspection, copying, or transcription by authorized representatives of the federal agency or the Department of Labor, and shall permit such representatives to interview employees during working hours on the job. If the contractor or subcontractor fails to submit the required records or to make them available, the Federal agency may, after written notice to the contractor, sponsor, applicant, or owner, take such action as may be necessary to cause the suspension of any further payment, advance, or guarantee of funds. Furthermore, failure to submit the required records upon request or to make such records available may be grounds for debarment action pursuant to 29 CFR 5.12.

4. **Apprentices and trainees.**

- i. **Apprentices.** Apprentices will be permitted to work at less than the predetermined rate for the work they performed when they are employed pursuant to and individually registered in a bona fide apprenticeship program registered with the U.S. Department of Labor, Employment and Training Administration, Office of Apprenticeship Training, Employer and Labor Services, or with a State Apprenticeship Agency recognized by the Office, or if a person is employed in his or her first 90 days of probationary employment as an apprentice in such an apprenticeship program, who is not individually registered in the program, but who has been certified by the Office of Apprenticeship Training, Employer and Labor Services or a State Apprenticeship Agency (where appropriate) to be eligible for probationary employment as an apprentice. The allowable ratio of apprentices to journeymen on the job site in any craft classification shall not be greater than the ratio permitted to the contractor as to the entire work force under the registered program. Any worker listed on a payroll at an apprentice wage rate, who is not registered or otherwise employed as stated above, shall be paid not less than the applicable wage rate on the wage determination for the classification of work actually performed. In addition, any apprentice performing work on the job site in excess of the ratio permitted under the registered program shall be paid not less than the applicable wage rate on the wage determination for the work actually performed. Where a contractor is performing construction on a project in a locality other than that in which its program is registered, the ratios and wage rates (expressed in percentages of the journeyman's hourly rate) specified in the contractor's or subcontractors registered program shall be observed. Every apprentice must be paid at not less than the rate specified in the registered program for the apprentice's level of progress, expressed as a percentage of the journeymen hourly rate specified in the applicable wage determination. Apprentices shall be paid fringe benefits in accordance with the provisions of the apprenticeship program. If the apprenticeship program does not specify fringe benefits, apprentices must be paid the full amount of fringe benefits listed on the wage determination for the applicable classification. If the Administrator determines that a different practice prevails for the applicable apprentice classification, fringes shall be paid in accordance with that determination. In the event the Office of Apprenticeship Training, Employer and Labor Services, or a State Apprenticeship Agency recognized by the Office, withdraws approval of an apprenticeship program, the contractor will no longer be permitted to utilize apprentices at less than the applicable predetermined rate for the work performed until an acceptable program is approved.
- ii. **Trainees.** Except as provided in 29 CFR 5.16, trainees will not be permitted to work at less than the predetermined rate for the work performed unless they are employed pursuant to and individually registered in a program which has received prior approval, evidenced by formal certification by the U.S. Department of Labor, Employment and Training Administration. The ratio of trainees to journeymen on the job site shall not be greater than permitted under the plan approved by the Employment and Training Administration. Every trainee must be paid at not less than the rate specified in the approved program for the trainee's level of progress, expressed as a percentage of the journeyman hourly rate specified in the applicable wage determination. Trainees shall be paid fringe benefits in accordance with the provisions of the trainee program. If the trainee program does not mention fringe benefits, trainees shall be paid the full amount of fringe benefits listed on the wage determination unless the Administrator of the Wage and Hour Division determines that there is an apprenticeship program associated with the corresponding journeyman wage rate on the wage determination which provides for less than full fringe benefits for apprentices. Any employee listed on the payroll at a trainee rate who is not registered and participating in a training plan approved by the Employment and Training Administration shall be paid not less than the applicable wage rate on the wage determination for the classification of work actually performed. In addition, any trainee performing work on the job site in excess of the ratio permitted under the registered program shall be paid not less than the applicable wage rate on the wage determination for the work actually performed. In the event the Employment and Training Administration withdraws approval of a training program, the contractor will no longer be permitted to utilize trainees at less than the applicable predetermined rate for the work performed until an acceptable program is approved.
- iii. **Equal employment opportunity.** The utilization of apprentices, trainees and journeymen under this part shall be in conformity with the equal employment opportunity requirements of Executive Order 11246, as amended, and 29 CFR part 30.

**5. Compliance with Copeland Act requirements.**

The contractor shall comply with the requirements of 29 CFR part 3, which are incorporated by reference in this contract.

**6. Subcontracts.**

The contractor or subcontractor shall insert in any subcontracts the clauses contained in 29 CFR 5.5(a) (I) through (10) and such other clauses as FEMA may by appropriate instructions require, and also a clause requiring the subcontractors to include these clauses in any lower tier subcontracts. The prime contractor shall be responsible for the compliance by any subcontractor or lower tier subcontractor with all the contract clauses in 29 CFR 5.5.

**7. Contract termination: debarment.**

A breach of the contract clauses in 29 CFR 5.5 may be grounds for termination of the contract, and for debarment as a contractor and a subcontractor as provided in 29 CFR 5.12.

**8. Compliance with Davis-Bacon and Related Act requirements.**

All rulings and interpretations of the Davis-Bacon and Related Acts contained in 29 CFR parts 1, 3, and 5 are herein incorporated by reference in this contract.

**9. Breach.**

A breach of the contract clauses above may be grounds for termination of the contract, and for debarment as a contractor and subcontractor as provided in 29 C.F.R. § 5.12.

**10. Disputes concerning labor standards.**

Disputes arising out of the labor standards provisions of this contract shall not be subject to the general disputes clause of this contract. Such disputes shall be resolved in accordance with the procedures of the Department of Labor set forth in 29 CFR parts 5, 6, and 7. Disputes within the meaning of this clause include disputes between the contractor (or any of its subcontractors) and the contracting agency, the U.S. Department of Labor, or the employees or their representatives.

**11. Certification of eligibility.**

- 1) By entering into this contract, the contractor certifies that neither it (nor he or she) nor any person or firm who has an interest in the contractor's firm is a person or firm ineligible to be awarded Government contracts by virtue of section 3(a) of the Davis Bacon Act or 29 CFR 5.12(a)(I).
- 2) No part of this contract shall be subcontracted to any person or firm ineligible for award of a Government contract by virtue of section 3(a) of the Davis-Bacon Act or 29 CFR 5.12(a)(I).
- 3) The penalty for making false statements is prescribed in the U.S. Criminal Code, 18 U.S.C. 1001.

**CONTRACT WORK HOURS AND SAFETY STANDARDS ACT**

(For all awarded contracts related to "mechanics and laborers" with a value greater than \$100,000.00)

- 1) **Overtime requirements.** No contractor or subcontractor contracting for any part of the contract work which may require or involve the employment of laborers or mechanics shall require or permit any such laborer or mechanic in any workweek in which he or she is employed on such work to work in excess of forty hours in such workweek unless such laborer or mechanic receives compensation at a rate not less than one and one-half times the basic rate of pay for all hours worked in excess of forty hours in such workweek.
- 2) **Violation; liability for unpaid wages; liquidated damages.** In the event of any violation of the clause set forth in paragraph (b)(1) of this section the contractor and any subcontractor responsible therefor shall be liable for the unpaid wages. In addition, such contractor and subcontractor shall be liable to the United States (in the

case of work done under contract for the District of Columbia or a territory, to such District or to such territory), for liquidated damages. Such liquidated damages shall be computed with respect to each individual laborer or mechanic, including watchmen and guards, employed in violation of the clause set forth in paragraph (b)(1) of this section, in the sum of \$27 for each calendar day on which such individual was required or permitted to work in excess of the standard workweek of forty hours without payment of the overtime wages required by the clause set forth in paragraph (b)(1) of this section.

- 3) **Withholding for unpaid wages and liquidated damages.** The (write in the name of the Federal agency or the loan or grant recipient) shall upon its own action or upon written request of an authorized representative of the Department of Labor withhold or cause to be withheld, from any moneys payable on account of work performed by the contractor or subcontractor under any such contract or any other Federal contract with the same prime contractor, or any other federally-assisted contract subject to the Contract Work Hours and Safety Standards Act, which is held by the same prime contractor, such sums as may be determined to be necessary to satisfy any liabilities of such contractor or subcontractor for unpaid wages and liquidated damages as provided in the clause set forth in paragraph (b)(2) of this section.
- 4) **Subcontracts.** The contractor or subcontractor shall insert in any subcontracts the clauses set forth in paragraph (b)(1) through (4) of this section and also a clause requiring the subcontractors to include these clauses in any lower tier subcontracts. The prime contractor shall be responsible for compliance by any subcontractor or lower tier subcontractor with the clauses set forth in paragraphs (b)(1) through (4) of this section.

#### **RIGHTS TO INVENTIONS MADE UNDER A CONTRACT OR AGREEMENT**

(This requirement **does not apply** to the Public Assistance, Hazard Mitigation Grant Program, Fire Management Assistance Grant Program, Crisis Counseling Assistance and Training Grant Program, Disaster Case Management Grant Program, and Federal Assistance to Individuals and Households - Other Needs Assistance Grant Program, as FEMA awards under these programs do not meet the definition of "funding agreement." If FEMA federal award meets definition of "funding agreement" under 37 CFR §401.2(a), for all awarded contracts related to experimental, developmental, or research work type contracts)

##### (a) Definitions

- (1) *Invention* means any invention or discovery which is or may be patentable or otherwise protectable under Title 35 of the United States Code, or any novel variety of *et seq.*
- (2) *Subject invention* means any invention of the *contractor* conceived or first actually reduced to practice in the performance of work under this *contract*, provided that in the case of a variety of plant, the date of determination (as defined in section 41(d) of the Plant Variety Protection Act, 7 U.S.C. 2401 (d)) must also occur during the period of *contract* performance.
- (3) *Practical Application* means to manufacture in the case of a composition or product, to practice in the case of a process or method, or to operate in the case of a machine or system; and, in each case, under such conditions as to establish that the invention is being utilized and that its benefits are, to the extent permitted by law or government regulations, available to the public on reasonable terms.
- (4) *Made* when used in relation to any invention means the conception or first actual reduction to practice of such invention.
- (5) *Small Business Firm* means a small business concern as defined at section 2 of Pub. L. 85-536 (15 U.S.C. 632) and implementing regulations of the Administrator of the Small Business Administration. For the purpose of this clause, the size standards for small business concerns involved in government procurement and subcontracting at 13 CFR 121.3-8 and 13 CFR 121.3- 12, respectively, will be used.
- (6) *Nonprofit Organization* means a university or other institution of higher education or an organization of the type described in section 501 (c) {3} of the Internal Revenue Code of 1954 (26 U.S.C. 501(c) and exempt from taxation under section 501(a) of the Internal Revenue Code (25 U.S.C. 501(a)) or any nonprofit scientific or educational organization qualified under a state nonprofit organization statute.

(b) Allocation of Principal Rights

The *Contractor* may retain the entire right, title, and interest throughout the world to each subject invention subject to the provisions of this clause and 35 U.S.C. 203. With respect to any subject invention in which the *Contractor* retains title, the Federal government shall have a nonexclusive, non-transferable, irrevocable, paid-up license to practice or have practiced for or on behalf of the United States the subject invention throughout the world.

(c) Invention Disclosure, Election of Title and Filing of Patent Application by *Contractor*

- (1) The *contractor* will disclose each subject invention to the *Federal Agency* within two months after the inventor discloses it in writing to *contractor* personnel responsible for patent matters. The disclosure to the agency shall be in the form of a written report and shall identify the *contract* under which the invention was made and the inventor(s). It shall be sufficiently complete in technical detail to convey a clear understanding to the extent known at the time of the disclosure, of the nature, purpose, operation, and the physical, chemical, biological or electrical characteristics of the invention. The disclosure shall also identify any publication, on sale or public use of the invention and whether a manuscript describing the invention has been submitted for publication and, if so, whether it has been accepted for publication at the time of disclosure. In addition, after disclosure to the *agency*, the *Contractor* will promptly notify the *agency* of the acceptance of any manuscript describing the invention for publication or of any on sale or public use planned by the *contractor*.
- (2) The *Contractor* will elect in writing whether or not to retain title to any such invention by notifying the *Federal agency* within two years of disclosure to the *Federal agency*. However, in any case where publication, on sale or public use has initiated the one-year statutory period wherein valid patent protection can still be obtained in the United States, the period for election of title may be shortened by the *agency* to a date that is no more than 60 days prior to the end of the statutory period.
- (3) The *contractor* will file its initial patent application on a subject invention to which it elects to retain title within one year after election of title or, if earlier, prior to the end of any statutory period wherein valid patent protection can be obtained in the United States after a publication, on sale, or public use. The *contractor* will file patent applications in additional countries or international patent offices within either ten months of the corresponding initial patent application or six months from the date permission is granted by the Commissioner of Patents and Trademarks to file foreign patent applications where such filing has been prohibited by a Secrecy Order.
- (4) Requests for extension of the time for disclosure, election, and filing under subparagraphs (1), (2), and (3) may, at the discretion of the *agency*, be granted.

(d) Conditions When the Government May Obtain Title

The *contractor* will convey to the *Federal agency*, upon written request, title to any subject invention-

- (1) If the *contractor* fails to disclose or elect title to the subject invention within the times specified in (c), above, or elects not to retain title; provided that the *agency* may only request title within 60 days after learning of the failure of the *contractor* to disclose or elect within the specified times.
- (2) In those countries in which the *contractor* fails to file patent applications within the times specified in (c) above; provided, however, that if the *contractor* has filed a patent application in a country after the times specified in (c) above, but prior to its receipt of the written request of the *Federal agency*, the *contractor* shall continue to retain title in that country.
- (3) In any country in which the *contractor* decides not to continue the prosecution of any application for, to pay the maintenance fees on, or defend in reexamination or opposition proceeding on, a patent on a subject invention.

(e) Minimum Rights to *Contractor* and Protection of the *Contractor* Right to File

- (1) The *contractor* will retain a nonexclusive royalty-free license throughout the world in each subject invention to which the Government obtains title, except if the *contractor* fails to disclose the invention within the times specified in (c), above. The *contractor's* license extends to its domestic subsidiary and affiliates, if any, within the corporate structure of which the *contractor* is a party and includes the right to grant sublicenses of the same scope to the extent the *contractor* was legally obligated to do so at the time the *contract* was awarded. The license is transferable only with the approval of the *Federal* to



which the invention pertains.

- (2) The *contractor's* domestic license may be revoked or modified by the *funding Federal agency* to the extent necessary to achieve expeditious practical application of the subject invention pursuant to an application for an exclusive license submitted in accordance with applicable provisions at 37 CFR part 404 and *agency* licensing regulations (if any). This license will not be revoked in that field of use or the geographical areas in which the *contractor* has achieved practical application and continues to make the benefits of the invention reasonably accessible to the public. The license in any foreign country may be revoked or modified at the discretion of the *funding Federal agency* to the extent the *contractor*, its licensees, or the domestic subsidiaries or affiliates have failed to achieve practical application in that foreign country.
- (3) Before revocation or modification of the license, the *funding Federal agency* will furnish the *contractor* a written notice of its intention to revoke or modify the license, and the *contractor* will be allowed thirty days (or such other time as may be authorized by the *funding Federal agency* for good cause shown by the *contractor*) after the notice to show cause why the license should not be revoked or modified. The *contractor* has the right to appeal, in accordance with applicable regulations in 37 CFR part 404 and *agency* regulations (if any) concerning the licensing of Government-owned inventions, any decision concerning the revocation or modification of the license.

(f) *Contractor Action to Protect the Government's Interest*

- (1) The *contractor* agrees to execute or to have executed and promptly deliver to the *Federal agency* all instruments necessary to
  - (i) establish or confirm the rights the Government has throughout the world in those subject inventions to which the *contractor* elects to retain title, and
  - (ii) convey title to the *Federal agency* when requested under paragraph (d) above and to enable the government to obtain patent protection throughout the world in that subject invention.
- (2) The *contractor* agrees to require, by written agreement, its employees, other than clerical and nontechnical employees, to disclose promptly in writing to personnel identified as responsible for the administration of patent matters and in a format suggested by the *contractor* each subject invention made under *contract* in order that the *contractor* can comply with the disclosure provisions of paragraph (c), above, and to execute all papers necessary to file patent applications on subject inventions and to establish the government's rights in the subject inventions. This disclosure format should require, as a minimum, the information required by (c) (1), above. The *contractor* shall instruct such employees through employee agreements or other suitable educational programs on the importance of reporting inventions in sufficient time to permit the filing of patent applications prior to U.S. or foreign statutory bars.
- (3) The *contractor* will notify the *Federal agency* of any decisions not to continue the prosecution of a patent application, pay maintenance fees, or defend in a reexamination or opposition proceeding on a patent, in any country, not less than thirty days before the expiration of the response period required by the relevant patent office.
- (4) The *contractor* agrees to include, within the specification of any United States patent applications and any patent issuing thereon covering a subject invention, the following statement, "This invention was made with government support under (identify the *contract*) awarded by (identify the Federal agency). The government has certain rights in the invention."

(g) *Subcontracts*

- (1) The *contractor* will include this clause, suitably modified to identify the parties, in all subcontracts, regardless of tier, for experimental, developmental or research work. The subcontractor will retain all rights provided for the *contractor* in this clause, and the *contractor* will not, as part of the consideration for awarding the subcontract, obtain rights in the subcontractor's subject inventions.
- (2) In the case of subcontracts, at any tier, when the prime award with the Federal agency was a contract (but not a grant or cooperative agreement), the *agency*, subcontractor, and the *contractor* agree that the mutual obligations of the parties created by this clause constitute a contract between the subcontractor and the Federal agency with respect to the matters covered by the clause; provided,

however, that nothing in this paragraph is intended to confer any jurisdiction under the Contract Disputes Act in connection with proceedings under paragraph (i) of this clause.

(h) Reporting on Utilization of Subject Inventions

The *Contractor* agrees to submit on request periodic reports no more frequently than annually on the utilization of a subject invention or on efforts at obtaining such utilization that are being made by the *contractor* or its licensees or assignees. Such reports shall include information regarding the status of development, date of first commercial sale or use, gross royalties received by the contractor, and such other data and information as the *agency* may reasonably specify. The *contractor* also agrees to provide additional reports as may be requested by the *agency* in connection with any march-in proceeding undertaken by the *agency* in accordance with paragraph (i) of this clause. As required by 35 U.S.C. 202(c) (5), the *agency* agrees it will not disclose such information to persons outside the government without permission of the *contractor*.

(i) Preference for United States Industry

Notwithstanding any other provision of this clause, the *contractor* agrees that neither it nor any assignee will grant to any person the exclusive right to use or sell any subject inventions in the United States unless such person agrees that any products embodying the subject invention or produced through the use of the subject invention will be manufactured substantially in the United States. However, in individual cases, the requirement for such an agreement may be waived by the *Federal agency* upon a showing by the *contractor* or its assignee that reasonable but unsuccessful efforts have been made to grant licenses on similar terms to potential licensees that would be likely to manufacture substantially in the United States or that under the circumstances domestic manufacture is not commercially feasible.

(j) March-in Rights

The *contractor* agrees that with respect to any subject invention in which it has acquired title, the *Federal agency* has the right in accordance with the procedures in 37 CFR 401.6 and any supplemental regulations of the *agency* to require the *contractor*, an assignee or exclusive licensee of a subject invention to grant a nonexclusive, partially exclusive, or exclusive license in any field of use to a responsible applicant or applicants, upon terms that are reasonable under the circumstances, and if the *contractor*, assignee, or exclusive licensee refuses such a request the *Federal agency* has the right to grant such a license itself if the *Federal agency* determines that:

- (1) Such action is necessary because the *contractor* or assignee has not taken or is not expected to take within a reasonable time, effective steps to achieve practical application of the subject invention in such field of use.
- (2) Such action is necessary to alleviate health or safety needs which are not reasonably satisfied by the *contractor*, assignee or their licensees;
- (3) Such action is necessary to meet requirements for public use specified by Federal regulations and such requirements are not reasonably satisfied by the *contractor*, assignee or licensees; or
- (4) Such action is necessary because the agreement required by paragraph (i) of this clause has not been obtained or waived or because a licensee of the exclusive right to use or sell any subject invention in the United States is in breach of such agreement.

(k) Special Provisions for *Contracts* with Nonprofit Organizations

If the *contractor* is a nonprofit organization, it agrees that:

- (1) Rights to a subject invention in the United States may not be assigned without the approval of the *Federal agency*, except where such assignment is made to an organization which has as one of its primary functions the management of inventions, provided that such assignee will be subject to the same provisions as the *contractor*;
- (2) The *contractor* will share royalties collected on a subject invention with the inventor, including Federal employee co-inventors (when the agency deems it appropriate) when the subject invention is assigned in accordance with 35 U.S.C. 202(e) and 37 CFR 401.10;
- (3) The balance of any royalties or income earned by the *contractor* with respect to subject inventions, after payment of expenses (including payments to inventors) incidental to the administration of subject inventions, will be utilized for the support of scientific research or education; and
- (4) It will make efforts that are reasonable under the circumstances to attract licensees of subject invention that are small business firms and that it will give a preference to a small business firm when licensing a subject invention if the *contractor* determines that the small business firm has a plan or proposal for marketing the invention which, if executed, is equally as likely to bring the invention to

practical application as any plans or proposals from applicants that are not small business firms; provided, that the *contractor* is also satisfied that the small business firm has the capability and resources to carry out its plan or proposal. The decision whether to give a preference in any specific case will be at the discretion of the *contractor*. However, the *contractor* agrees that the Secretary applicants, and the *contractor* will negotiate changes to its licensing policies, procedures, or practices with the Secretary when the Secretary's review discloses that the *contractor* could take reasonable steps to implement more effectively the requirements of this paragraph (k)(4).

(l) Communication

Any communications to be given hereunder by either party to the other shall be deemed to be duly given if set forth in writing and personally delivered or sent by mail, registered or certified, postage prepaid with return receipt requested, **as follows:**

---

---

---

---

Written notices hereunder delivered personally shall be deemed communicated as of actual receipt; mailed notices shall be deemed communicated five (5) days after deposit in the mail, post prepaid, certified, in accordance with this Paragraph.

**CLEAN AIR ACT**

(For all awarded contracts with a value greater than \$150,000.00)

- (m) The contractor agrees to comply with all applicable standards, orders or regulations issued pursuant to the Clean Air Act, as amended, 42 U.S.C. § 7401 et seq.
- (n) The contractor agrees to report each violation to the (name of applicant entering into the contract) and understands and agrees that the (name of the applicant entering into the contract) will, in turn, report each violation as required to assure notification to the Federal Emergency Management Agency, and the appropriate Environmental Protection Agency Regional Office.
- (o) The contractor agrees to include these requirements in each subcontract exceeding \$150,000 financed in whole or in part with Federal assistance provided by FEMA.

**FEDERAL WATER POLLUTION CONTROL ACT**

(For all awarded contracts with a value greater than \$150,000.00)

- (1) The contractor agrees to comply with all applicable standards, orders, or regulations issued pursuant to the Federal Water Pollution Control Act, as amended, 33 U.S.C. 1251 et seq.
- (2) The contractor agrees to report each violation to the (name of the applicant entering into the contract) and understands and agrees that the (name of the applicant entering into the contract) will, in turn, report each violation as required to assure notification to the Federal Emergency Management Agency, and the appropriate Environmental Protection Agency Regional Office.
- (3) The contractor agrees to include these requirements in each subcontract exceeding \$150,000 financed in whole or in part with Federal assistance provided by FEMA.

**DEBARMENT AND SUSPENSION *Contractor must complete enclosed certification***

- (1) This contract is a covered transaction for purposes of 2 C.F.R. pt. 180 and 2 C.F.R. pt. 3000. As such, the contractor is required to verify that none of the contractor's principals (defined at 2 C.F.R. § 180.995) or its affiliates (defined at 2 C.F.R. § 180.905) are excluded (defined at 2 C.F.R. § 180.940) or disqualified (defined at 2 C.F.R. § 180.935).
- (2) The contractor must comply with 2 C.F.R. pt. 180, subpart C and 2 C.F.R. pt. 3000, subpart C, and must include a requirement to comply with these regulations in any lower tier covered transaction it enters into.

- (3) This certification is a material representation of fact relied upon by Client. If it is later determined that the contractor did not comply with 2 C.F.R. pt. 180, subpart C and 2 C.F.R. pt. 3000, subpart C, in addition to remedies available to (insert name of recipient/subrecipient/applicant), the Federal Government may pursue available remedies, including but not limited to suspension and/or debarment.
- (4) The bidder or proposer agrees to comply with the requirements of 2 C.F.R. pt. 180, subpart C and 2 C.F.R. pt. 3000, subpart C while this offer is valid and throughout the period of any contract that may arise from this offer. The bidder or proposer further agrees to include a provision requiring such compliance in its lower tier covered transactions.

#### **BYRD ANTI-LOBBYING AMENDMENT**

(For all awarded contracts with a value greater than \$100,000.00.) ***Contractor must complete enclosed certification***

Byrd Anti-Lobbying Amendment, 31 U.S.C. § 1352 (as amended) Contractors who apply or bid for an award of \$100,000 or more shall file the required certification. Each tier certifies to the tier above that it will not and has not used Federal appropriated funds to pay any person or organization for influencing or attempting to influence an officer or employee of any agency, a Member of Congress, officer or employee of Congress, or an employee of a Member of Congress in connection with obtaining any Federal contract, grant, or any other award covered by 31 U.S.C. § 1352. Each tier shall also disclose any lobbying with non-Federal funds that takes place in connection with obtaining any Federal award. Such disclosures are forwarded from tier to tier up to the recipient who in turn will forward the certification(s) to the awarding agency.

The Contractor certifies, to the best of his or her knowledge and belief that:

- (1) No Federal appropriated funds have been paid or will be paid, by or on behalf of the undersigned, to any person for influencing or attempting to influence an officer or employee of any agency, a Member of Congress, an officer or employee of Congress, or an employee of a Member of Congress in connection with the awarding of any federal contract, the making of any federal grant, the making of any federal loan, the entering into of any cooperative agreement, and the extension, continuation, renewal, amendment, or modification of any federal contract, grant, loan, or cooperative agreement.
- (2) If any funds other than federally appropriated funds have been paid or will be paid to any person for influencing or attempting to influence an officer or employee of any agency, a member of Congress, an officer or employee of Congress, or an employee of a member of Congress in connection with this federal contract, grant, loan, or cooperative agreement, the contractor shall complete and submit Standard Form-LLL, "Disclosure Form to Report Lobbying," in accordance with its instructions.
- (3) Contractor will include language of this certification in all subcontract awards at any tier and require that all recipients of subcontract awards in excess of \$150,000.00 shall certify and disclose accordingly.

#### **PROCUREMENT OF RECOVERED MATERIALS**

(The requirements of Section 6002 include procuring only items designated in guidelines of the EPA at 40 C.F.R. Part 247 that contain the highest percentage of recovered materials practicable, consistent with maintaining a satisfactory level of competition, where the purchase price of the item exceeds \$10,000 or the value of the quantity acquired by the preceding fiscal year exceeded \$10,000; procuring solid waste management services in a manner that maximizes energy and resource recovery; and establishing an affirmative procurement program for procurement of recovered materials identified in the EPA guidelines.)

- (1) In the performance of this contract, the Contractor shall make maximum use of products containing recovered materials that are EPA designated items unless the product cannot be acquired:
  - a) Competitively within a timeframe providing for compliance with the contract performance schedule;
  - b) Meeting contract performance requirements; or
  - c) At a reasonable price.
- (2) Information about this requirement is available at EPA's Comprehensive Procurement Guidelines website, <http://www.epa.gov/cpg/>.

The list of EPA-designate items is available at <http://www.epa.gov/cpg/products.htm>.

- (3) The Contractor also agrees to comply with all other applicable requirements of Section 6002 of the "Solid Waste Disposal Act."

### **ACCESS TO RECORDS**

The following access to records requirements apply to this contract:

- (1) The Contractor agrees to provide the Client, the FEMA Administrator, the Comptroller General of the United States, or any of their authorized representatives access to any books, documents, papers, and records of the Contractor which are directly pertinent to this contract for the purposes of making audits, examinations, excerpts, and transcriptions.
- (2) The Contractor agrees to permit any of the foregoing parties to reproduce by any means whatsoever or to copy excerpts and transcriptions as reasonably needed.
- (3) The Contractor agrees to provide the FEMA Administrator or his authorized representatives access to construction or other work sites pertaining to the work being completed under the contract.
- (4) In compliance with the Disaster Recovery Act of 2018, the Client and the Contractor acknowledge and agree that no language in this contract is intended to prohibit audits or internal reviews by the FEMA Administrator or the Comptroller General of the United States.

### **CHANGES**

To be eligible for FEMA assistance under the non-Federal entity's FEMA grant or cooperative agreement, the cost of the change, modification, change order, or constructive change must be allowable, allocable, within the scope of its grant or cooperative agreement, and reasonable for the completion of project scope.

FEMA recommends, therefore, that a non-Federal entity include a changes clause in its contract that describes how, if at all, changes can be made by either party to alter the method, price, or schedule of the work without breaching the contract. The language of the clause may differ depending on the nature of the contract and the end-item procured.

### **DHS SEAL, LOGO, AND FLAGS**

The contractor shall not use the DHS seal(s), logos, crests, or reproductions of flags or likenesses of DHS agency officials without specific FEMA pre-approval.

### **COMPLIANCE WITH FEDERAL LAW, REGULATIONS, AND EXECUTIVE ORDERS**

This is an acknowledgement that FEMA financial assistance will be used to fund all or a portion of the contract. The contractor will comply with all applicable Federal law, regulations, executive orders, FEMA policies, procedures, and directives.

### **NO OBLIGATION BY FEDERAL GOVERNMENT**

The Federal Government is not a party to this contract and is not subject to any obligations or liabilities to the non-Federal entity, contractor, or any other party pertaining to any matter resulting from the contract.

### **PROGRAM FRAUD AND FALSE OR FRAUDULENT STATEMENTS OR RELATED ACTS**

The Contractor acknowledges that 31 U.S.C. Chap. 38 (Administrative Remedies for False Claims and Statements) applies to the Contractor's actions pertaining to this contract.

### **PROHIBITION ON CONTRACTING FOR COVERED TELECOMMUNICATIONS EQUIPMENT OR SERVICES**

2 C.F.R. § 200.216, as implemented by FEMA Policy 405-143-1, prohibits the Contractor from using equipment, services, or systems that uses covered telecommunications equipment or services as a substantial or essential component of any system, or as critical technology as part of any system.

### **DOMESTIC PREFERENCES FOR PROCUREMENTS**

As appropriate and to the extent consistent with law, the Contractor agrees, to the greatest extent practicable, prefer the purchase, acquisition, or use of goods, products, or materials produced in the United States (including but not limited to iron, aluminum, steel, cement, and other manufactured products).

### **AFFIRMATIVE SOCIOECONOMIC STEPS**

If subcontracts are to be let, the prime contractor is required to take all necessary steps identified in 2\_C.F.R. § 200.321(b)(1)-(5) to ensure that small and minority businesses, women's business enterprises, and labor surplus area firms are used when possible.

### **COPYRIGHT AND DATA RIGHTS**

"License and Delivery of Works Subject to Copyright and Data Rights"

The Contractor grants to the Client a paid-up, royalty-free, nonexclusive, irrevocable, worldwide license in data first produced in the performance of this contract to reproduce, publish, or otherwise use, including prepare derivative works, distribute copies to the public, and perform publicly and display publicly such data. For data required by the contract but not first produced in the performance of this contract, the Contractor will identify such data and grant to the Client or acquires on its behalf a license of the same scope as for data first produced in the performance of this contract. Data, as used herein, shall include any work subject to copyright under 17 U.S.C. § 102, for example, any written reports or literary works, software and/or source code, music, choreography, pictures or images, graphics, sculptures, videos, motion pictures or other audiovisual works, sound and/or video recordings, and architectural works. Upon or before the completion of this contract, the Contractor will deliver to the Client data first produced in the performance of this contract and data required by the contract but not first produced in the performance of this contract in formats acceptable by the Client."

**BYRD ANTI-LOBBYING CERTIFICATION**

Certification for Contracts, Grants, Loans, and Cooperative Agreements-The undersigned certifies, to the best of his or her knowledge and belief, that:

- 1) No Federal appropriated funds have been paid or will be paid, by or on behalf of the undersigned, to any person for influencing or attempting to influence an officer or employee of an agency, a Member of Congress, an officer or employee of Congress, or an employee of a Member of Congress in connection with the awarding of any Federal contract, the making of any Federal grant, the making of any Federal loan, the entering into of any cooperative agreement, and the extension, continuation, renewal, amendment, or modification of any Federal contract, grant, loan, or cooperative agreement.
- 2) If any funds other than Federal appropriated funds have been paid or will be paid to any person for influencing or attempting to influence an officer or employee of any agency, a Member of Congress, an officer or employee of Congress, or an employee of a Member of Congress in connection with this Federal contract, grant, loan, or cooperative agreement, the undersigned shall complete and submit Standard Form-LLL, "Disclosure Form to Report Lobbying," in accordance with its instructions.
- 3) The undersigned shall require that the language of this certification be included in the award documents for all subawards at all tiers (including subcontracts, subgrants, and contracts under grants, loans, and cooperative agreements) and that all subrecipients shall certify and disclose accordingly.

This certification is a material representation of fact upon which reliance was placed when this transaction was made or entered into. Submission of this certification is a prerequisite for making or entering into this transaction imposed by section 1352, title 31, U.S. Code. Any person who fails to file the required certification shall be subject to a civil penalty of not less than \$10,000 and not more than \$100,000 for each such failure.

The Contractor \_\_\_\_\_ certifies or affirms the truthfulness and accuracy of each statement of its certification and disclosure, if any. In addition, the Contractor understands and agrees that the provisions of 31 U.S.C. Chap. 38, Administrative Remedies for False Claims and Statements, apply to this certification and disclosure, if any.

\_\_\_\_\_  
**Signature of Contractor's Authorized Official**

\_\_\_\_\_  
**Name and Title of Contractor's Authorized Official**

\_\_\_\_\_  
**Date**

<p><b>REQUIRED FORM</b>  <b>Proposer:</b>  <b>Please complete this form and include with proposal submission.</b></p>
---

## DEBARMENT/SUSPENSION CERTIFICATION

---

Non-Federal entities and contractors are subject to the debarment and suspension regulations implementing Executive Order 12549, Debarment and Suspension (1986) and Executive Order 12689, Debarment and Suspension (1989) at 2 C.F.R. Part 180 and the Department of Homeland Security's regulations at 2 C.F.R. Part 3000 (No procurement Debarment and Suspension).

This requirement applies to all FEMA grant and cooperative agreement programs.

Federal Executive Order (E .O.) 12549 "Debarment" requires that all contractors receiving individual awards, using federal funds, and all sub recipients certify that the organization and its principals are not debarred, suspended, proposed for debarment, declared ineligible, or voluntarily excluded by any Federal department or agency from doing business with the Federal Government. By signing this document, you certify that your organization and its principals are not debarred. Failure to comply or attempts to edit this language may disqualify your bid/proposal. Information on debarment is available at the following websites: [www.sam.gov](http://www.sam.gov) and <https://acquisition.gov/far/index.html> see section 52.209-6.

The Contractor \_\_\_\_\_ certifies or affirms by your signature that neither you nor your principal is presently debarred, suspended, proposed for debarment, declared ineligible, or voluntarily excluded from participation in this transaction by any federal department or agency.

\_\_\_\_\_  
**Signature of Contractor's Authorized Official**

\_\_\_\_\_  
**Name and Title of Contractor's Authorized Official**

\_\_\_\_\_  
**Date**

<p><b>REQUIRED FORM</b> <b>Proposer:</b> <b>Please complete this form and</b> <b>include with proposal submission.</b></p>
--



## CIVIL RIGHTS COMPLIANCE PROVISIONS

---

### 1. EQUAL EMPLOYMENT OPPORTUNITY (Equal Opportunity Clause)

(For all awarded contracts that meet the definition of "federally assisted construction contract" provided in 41 CFR Part 60-1.3)

During the performance of this contract, the contractor agrees as follows:

- 1) The contractor will not discriminate against any employee or applicant for employment because of race, color, religion, sex, sexual orientation, gender identity, or national origin. The contractor will take affirmative action to ensure that applicants are employed, and that employees are treated during employment without regard to their race, color, religion, sex, sexual orientation, gender identity, or national origin. Such action shall include, but not be limited to the following:  
Employment, upgrading, demotion, or transfer; recruitment or recruitment advertising; layoff or termination; rates of pay or other forms of compensation; and selection for training, including apprenticeship. The contractor agrees to post in conspicuous places, available to employees and applicants for employment, notices to be provided setting forth the provisions of this nondiscrimination clause.
- 2) The contractor will, in all solicitations or advertisements for employees placed by or on behalf of the contractor, state that all qualified applicants will receive consideration for employment without regard to race, color, religion, sex, sexual orientation, gender identity, or national origin.
- 3) The contractor will not discharge or in any other manner discriminate against any employee or applicant for employment because such employee or applicant has inquired about, discussed, or disclosed the compensation of the employee or applicant or another employee or applicant. This provision shall not apply to instances in which an employee who has access to the compensation information of other employees or applicants as a part of such employee's essential job functions discloses the compensation of such other employees or applicants to individuals who do not otherwise have access to such information, unless such disclosure is in response to a formal complaint or charge, in furtherance of an investigation, proceeding, hearing, or action, including an investigation conducted by the employer, or is consistent with the contractor's legal duty to furnish information.
- 4) The contractor will send to each labor union or representative of workers with which he has a collective bargaining agreement or other contract or understanding, a notice to be provided advising the said labor union or workers' representatives of the contractor's commitments under this section and shall post copies of the notice in conspicuous places available to employees and applicants for employment.
- 5) The contractor will comply with all provisions of Executive Order 11246 of September 24, 1965, and of the rules, regulations, and relevant orders of the Secretary of Labor.
- 6) The contractor will furnish all information and reports required by Executive Order 11246 of September 24, 1965, and by rules, regulations, and orders of the Secretary of Labor, or pursuant thereto, and will permit access to his books, records, and accounts by the administering agency and the Secretary of Labor for purposes of investigation to ascertain compliance with such rules, regulations, and orders.
- 7) In the event of the contractor's noncompliance with the nondiscrimination clauses of this contract or with any of the said rules, regulations, or order this contract may be canceled, terminated, or suspended in whole or in part and the contractor may be declared ineligible for further Government contracts or federally assisted construction contracts in accordance with procedures authorized in Executive Order 11246 of September 24, 1965, and such other sanctions may be imposed and remedies invoked as provided in Executive Order 11246 of September 24, 1965, or by rule, regulation, or order of the Secretary of Labor, or as otherwise provided by law.

**CIVIL RIGHTS COMPLIANCE PROVISIONS (CONTINUED)**

---

8) The contractor will include the portion of the sentence immediately preceding paragraph (1) and the provisions of paragraphs (1) through (8) in every subcontract or purchase order unless exempted by rules, regulations, or orders of the Secretary of Labor issued pursuant to section 204 of Executive Order 11246 of September 24, 1965, so that such provisions will be binding upon each subcontractor or vendor. The contractor will take such action with respect to any subcontract or purchase order as the administering agency may direct as a means of enforcing such provisions, including sanctions for noncompliance:

Provided, however, that in the event a contractor becomes involved in, or is threatened with, litigation with a subcontractor or vendor as a result of such direction by the administering agency, the contractor may request the United States to enter into such litigation to protect the interests of the United States.

The applicant further agrees that it will be bound by the above equal opportunity clause with respect to its own employment practices when it participates in federally assisted construction work: Provided, that if the applicant so participating is a State or local government, the above equal opportunity clause is not applicable to any agency, instrumentality or subdivision of such government which does not participate in work on or under the contract.

The applicant agrees that it will assist and cooperate actively with the administering agency and the Secretary of Labor in obtaining the compliance of contractors and subcontractors with the equal opportunity clause and the rules, regulations, and relevant orders of the Secretary of Labor, that it will furnish the administering agency and the Secretary of Labor such information as they may require for the supervision of such compliance, and that it will otherwise assist the administering agency in the discharge of the agency's primary responsibility for securing compliance.

The applicant further agrees that it will refrain from entering into any contract or contract modification subject to Executive Order 11246 of September 24, 1965, with a contractor debarred from, or who has not demonstrated eligibility for, Government contracts and federally assisted construction contracts pursuant to the Executive Order and will carry out such sanctions and penalties for violation of the equal opportunity clause as may be imposed upon contractors and subcontractors by the administering agency or the Secretary of Labor pursuant to Part II, Subpart D of the Executive Order. In addition, the applicant agrees that if it fails or refuses to comply with these undertakings, the administering agency may take any or all of the following actions: Cancel, terminate, or suspend in whole or in part this grant (contract, loan, insurance, guarantee); refrain from extending any further assistance to the applicant under the program with respect to which the failure or refund occurred until satisfactory assurance of future compliance has been received from such applicant; and refer the case to the Department of Justice for appropriate legal proceedings.

---

**Signature of Contractor's Authorized Official**

---

**Name and Title of Contractor's Authorized Official**

---

**Date**

<p><b>REQUIRED FORM</b> <b>Proposer:</b> <b>Please complete this form and include with proposal submission.</b></p>
---

## SECTION 3. PROPOSAL SUBMISSION INSTRUCTIONS AND SPECIAL REQUIREMENTS

---

The following requirements and instructions **supersede** General Requirements where applicable.

### 3.1. SUBMISSION OF PROPOSAL

Each Respondent shall ensure that required parts of the RFP response are completed with accuracy and submitted as per the requirements within this specifications packet, including any addenda.

**Respondent is responsible for submitting: One (1) original and three response copies; with all copies to include a completed copy of this specifications packet, in its entirety.**

The County requests that response submissions **NOT** be bound by staples or glued spines.

Respondent shall monitor the Jefferson County Purchasing Department Website for any addenda, additional instructions, or RFQ updates. <https://www.co.jefferson.tx.us/Purchasing/>

**Failure to return and/or complete all required documentation will result in a response being declared as non-responsive.**

Responses must be submitted in complete original form by mail or messenger to the following address:

Jefferson County Purchasing Department  
1149 Pearl Street, 1<sup>st</sup> Floor  
Beaumont, TX 77701

Respondent shall submit response in a tightly sealed opaque envelope or box, plainly marked "SEALED RFP RESPONSE." The outside of the envelope or box shall also include the RFP Number, RFP Name, RFP Due Date, and the Respondent's Name and Address; and shall be addressed to the Purchasing Agent.

**All submissions must be received by 11:00 am CT, Wednesday, February 22, 2023.**

- Late responses will not be accepted and will be returned unopened to the Respondent.
- Jefferson County will not accept any responsibility for responses being delivered by third party carriers.
- RFP responses will be accepted at the above address until the time and date specified herein, and immediately after will be publicly opened and read aloud.
- Jefferson County shall not be responsible for any effort or cost expended in the preparation of a response to this RFP.
- All responses submitted in response to this invitation shall become the property of Jefferson County and will be a matter of public record available for review.
- All protests should be coordinated through the Purchasing Office prior to award recommendation to Commissioners' Court.

Please direct questions to Mistey Reeves, Assistant Purchasing Agent at 409-835-8593 or e-mail at [mistey.reeves@jeffcotx.us](mailto:mistey.reeves@jeffcotx.us). If no response in 72 hours, contact Deborah Clark, Purchasing Agent at 409-835-8593 or email at [deb.clark@jeffcotx.us](mailto:deb.clark@jeffcotx.us).

#### **Courthouse Security:**

All visitors to the Courthouse must pass through Security. Respondents planning to hand deliver proposals must allow time to get through Security, as a delay in entering the Courthouse will not be accepted as an excuse for late submittal. Mondays and Tuesdays are particularly heavy days.

In response to the Covid-19 pandemic, Jefferson County will be implementing precautionary measures as currently recommended by the CDC within its facilities.

Respondents are strongly urged to plan accordingly.

**COUNTY HOLIDAYS (2023):**

January 16	(Monday)	Martin Luther King, Jr. Day
February 20	(Monday)	President's Day
April 7	(Friday)	Good Friday
May 29	(Monday)	Memorial Day
July 4	(Tuesday)	Independence Day
September 4	(Monday)	Labor Day
November 10	(Friday)	Veteran's Day
November 23 & 24	(Thursday & Friday)	Thanksgiving
December 25 & 26	(Monday & Tuesday)	Christmas
January 1, 2024	(Monday)	New Year's

**Submissions During Time of Inclement Weather, Disaster, or Emergency:**

In case of inclement weather or any other unforeseen event causing the County to close for business on the date of a bid/proposal/statement of qualifications submission deadline, the RFP closing will automatically be postponed until the next business day that County offices are open to the public. Should inclement weather conditions or any other unforeseen event cause delays in courier service operations, the County may issue an addendum to all known vendors interested in the project to extend the deadline. It will be the responsibility of the vendor to notify the county of their interest in the project should these conditions impact their ability to submit a bid/proposal/statement of qualifications submission before the stated deadline. The County reserves the right to make the final judgement call to extend any deadline.

Should an emergency or unanticipated event interrupt normal County processes, and bid/proposal/statement of qualifications submissions cannot be received by the Jefferson County Purchasing Department's office by the exact time specified in the RFP and urgent County requirements preclude amendment to the RFP, the time specified for receipt of Statements of Qualifications will be deemed to be extended to the same time of day specified in the solicitation on the first business day on which normal County processes resume.

**3.2 PRE-PROPOSAL CONFERENCE**

Due to the nature of this Request for Proposals, a Pre-Proposal Conference will not be held for this project.

Proposals will be opened publicly in a manner to avoid public disclosure of contents; however, only names of Proposers will be read aloud.

**3.3 QUESTIONS AND DEADLINE FOR QUESTION SUBMISSION**

Questions may be emailed to **Mistey Reeves, ASSISTANT PURCHASING AGENT** at: [mistey.reeves@jeffcotx.us](mailto:mistey.reeves@jeffcotx.us) or faxed at: 409-835-8456. If no response in 72 hours, contact **Deborah Clark, PURCHASING AGENT** at: [deb.clark@jeffcotx.us](mailto:deb.clark@jeffcotx.us)

The Deadline for asking questions or requesting additional information (in writing) is 5:00 pm, CT, February 15, 2023.

### 3.4 TENTATIVE SCHEDULE OF EVENTS

January 17, 2023	Issuance of Request for Proposal
February 22, 2023	Deadline Submission (late proposals will not be considered)
February 24, 2023	Proposals distributed to Evaluation Committee
March 3, 2023	Evaluation Committee Convenes to Tabulate Scoring and Determines Short List
March 7, 2023	If Applicable: Conduct Interview/Best and Final Offer/Short List
March 14, 2023	Recommendation for Award

**Please note:**

The above schedule of events is *tentative* in nature. Dates listed are subject to change.

## SECTION 4. PROPOSAL FORMAT REQUIREMENTS

---

### 4.1 INTRODUCTION TO PROPOSAL FORMAT REQUIREMENTS

Each proposal submitted in response to this RFP must be organized to correspond with those numbered sections of this RFP that require a response. Failure to arrange the proposal as requested may result in the disqualification of the proposal. Conciseness and clarity of content are emphasized and encouraged. Vague and general proposals will be considered non-responsive, and will result in disqualification. The response must be complete. Failure to provide the required information may result in the disqualification of the proposal. All pages of the proposal must be numbered and the proposal must contain an organized, paginated table of contents corresponding to the sections and pages of the proposal.

The County requests that proposal submissions **NOT** be bound by staples or glued spines.

### 4.2 ORGANIZATION OF PROPOSAL CONTENTS

Each proposal must be organized in the manner described below:

- A. Transmittal Letter
- B. Table of Contents
- C. Executive Summary
- D. Proposer Identifying Information
- E. Proposer Personnel and Organization
- F. Cost Proposal Form (Page 48)
- G. Copy of RFP Specifications and any Addenda in their entirety.  
(Note: All forms should be completed, and any information requested should be inserted/included)

### 4.3 TRANSMITTAL LETTER

The Proposer must submit a transmittal letter that identifies the entity submitting the proposal, and includes a commitment by that entity to provide the services required by the County. The transmittal letter must state that the proposal is valid for **(90)** days from the deadline for delivery of proposals to the County. Any proposal containing a term of less than **(90)** days for acceptance will be rejected as non-responsive.

The transmittal letter must be signed by a person legally authorized to bind the Proposer to the representations in the response. In the case of a joint proposal, each party must sign the transmittal letter. The Proposer also must indicate, in its transmittal letter, why it believes that it is the most qualified Proposer to provide the services described in this RFP.

The transmittal letter must include a statement of acceptance of the terms and conditions of the contract resulting from this RFP. If Proposer takes exception to any of the proposed terms and conditions stated in this RFP, those exceptions must be noted in the transmittal letter. However, Proposer must realize that failure to accept the terms specified in this proposal may result in disqualification of the proposal.

### 4.4 TABLE OF CONTENTS

Each proposal must be submitted with a table of contents that clearly identifies and denotes the location of each title and subtitle of the proposal. Additionally, the table of contents must clearly identify and denote the location of all enclosures of the proposal. The table of contents must follow the RFP's structure as much as is practical.

#### **4.5 EXECUTIVE SUMMARY**

The Proposer must provide an executive summary of its proposal that asserts that the Proposer is providing in its response all of the requirements of this RFP. The executive summary must not exceed three (3) pages, and must represent a full and concise summary of the contents of the proposal. The executive summary must not include any information concerning the cost of the proposal. The Proposer must identify any services that are provided beyond those specifically requested. If the Proposer is providing services that do not meet the specific requirements of this RFP, but in the opinion of the Proposer are equivalent or superior to those specifically requested, any such differences must be noted in the executive summary. However, the Proposer must realize that failure to provide the services specifically required may result in disqualification of the proposal.

#### **4.6 PROPOSER IDENTIFYING INFORMATION**

**Proposers must provide the following identifying information with their proposal submission:**

- a. Name and address of business entity submitting the proposal;
- b. Type of business entity (i.e., corporation, partnership);
- c. Place of incorporation, if applicable;
- d. Name and location of major offices and other facilities that relate to the Proposer's performance under the terms of this RFP;
- e. Name, address, business and fax number of the Proposer's principal contact person regarding all contractual matters relating to this RFP;
- f. The Proposer's Federal Employer Identification Number, Jefferson County Vendor Number and Jefferson County Business License Number, if any;
- g. Full name and address for each member, partner, and employee of the Proposer (and any subcontractors) who will perform services on this project; and
- h. A statement regarding the financial stability of the Proposer, including the ability of the Proposer to perform the functions required by this RFP and to provide those services represented by the Proposer in its response.

#### **4.7 PROPOSER'S PERSONNEL AND ORGANIZATION**

The Proposer must provide resumes of all key personnel that will be involved in performing the project, and must provide for each person:

- a. Full name (including full middle name);
- b. An employment history;
- c. A specific description of relevant experience and skills that person has in connection with the conduct of financial advisory services that is the subject of this RFP (limit one page);
- d. A specific indication of what role the individual will have in this project; and
- e. Any additional helpful information to indicate the individual's ability to aid the Proposer in successfully performing the work involved in this RFP (limit to one page).

The resumes must present the required personnel in sufficient detail as to provide the County an indication that the personnel involved can perform the work specified in this RFP. All proposed personnel will be subject to the County approval.

Jefferson County is committed to using the selected Performance Review Company according to reasonable and well-planned timeframes, to the extent possible. Jefferson County is committed to making available its personnel in a similar manner to enable the Performance Review team able to perform its duties in a timely basis.

Each Proposer is required to make a statement as to the availability of key personnel to Jefferson County when required. The key personnel who are to work on this project, identified in the proposal as such, are considered to be essential to the services to be provided. No substitutions of key personnel following contract award will be made without the prior written consent of Jefferson County Commissioners' Court. All requested substitutes must be submitted to the Jefferson County Commissioners' Court, or, together with their resumes, for approval.

Each of the successful Proposer's personnel is subject to removal from this project by Jefferson County Commissioners' Court. In addition, if the person removed is among the project's key personnel, the replacement must be approved by Jefferson County Commissioners' Court. All replacements of key personnel will be paid at the same rate as the person who was replaced, unless the rate normally charged by the replacement is lower, in which case the lower rate will be paid. All replacements of key personnel must be of equal or superior experience as the person replaced.

If applicable, each Proposer must provide a detailed statement setting forth the proposed hourly billing rate for all key personnel, and for each additional staff member to be assigned to the project. The hours each of the key personnel and other staff members are projected to work on the project.

Each Proposer must provide any equipment, software, or data communication lines required by the successful Proposer's personnel to complete the work specified in this document. Each Proposer also must identify any personnel related through blood or marriage to the County or to any current employee of the County.

Each Proposer must provide an organizational chart covering the services offered in its proposal, indicating lines of authority, names, titles, and functions of individuals assigned. The Proposer must assign a contact person to the project.



## SECTION 5. PROJECT OBJECTIVE AND SCOPE OF SERVICES

### 5.1 PROJECT OBJECTIVE AND SCOPE OF SERVICES

#### Objective

Jefferson County seeks a contractor to provide Automated Teller Machines (ATM) Installation and Operation at various County facilities for an initial contract period of one (1) year, with an option to renew for up to four (4) additional one year renewals.

There is currently a \$2.00 charge per transaction, \$1.00 of which is paid to Jefferson County for each transaction per quarter. Payments to the County were \$2,361.00 for FY 2021 and \$2,277.00 for FY 2022.

#### Current and Possible Locations for ATMs

The following table shows current and possible additional locations for ATMs, as well of description of the use and traffic of each location.

	Locations	Description	Contact
1	Historic Courthouse 1149 Pearl Street New Courthouse 1001 Pearl Street Beaumont	The two courthouses (which are connected) are used by approximately 500+ County employees, as well as members of the public. The two buildings include courts, justice of the peace offices, tax offices, and a café. There is currently an ATM in the first floor hallway connecting the two buildings.	Greg Keller 409-835-8511
2	Annex I 215 Franklin St. Beaumont	Adjacent to the courthouses, this building is used by approximately 40 County employees, as well as by members of the public. The building includes court rooms and a justice of the peace office. The building does not currently have an ATM.	Greg Keller 409-835-8511
3	Annex II 820 Neches St. Beaumont	This building contains the Adult Probation Department, and is used by approximately 50+ County employees and numerous members of the public. The building does not currently have an ATM.	Greg Keller 409-835-8511
4	Mid County Tax Office 4605 Jerry Ware Dr. Beaumont	This building is used by approximately 11 County employees, as well as by members of the public. The building does not currently have an ATM.	Mike Trahan 409-727-2173
5	Subcourthouse 525 Lakeshore Dr. Pt. Arthur	This building is used by approximately 50 County employees, as well as by members of the public. The building includes courts, justice of the peace offices, and a tax office. There are currently two ATMs at this location.	Kenneth Shepherd 409-983-8307
6	Jack Brooks Regional Airport – Main Terminal	The airport has two gates, which served approximately 36,000 passengers in 2010. There are approximately 13 employees working at the airport. There is currently an ATM at this location.	Alex Rupp 409-719-4900

	<b>Location: Ford Park</b>	<b>Description</b>	<b>Contact</b>
7	Ford Park Arena, Amphitheater, Fairgrounds, Ball Fields, Exhibit Hall 5115 1H10 South, Beaumont	<p>There are approximately 10-12 employees at Ford Park. The number of visitors varies considerably with the schedule of events at these venues. There are currently ATMs at the Arena and Amphitheater. However, additional ATMs (to be included in this bid) are to be installed and operated at: Ford Park Ball Fields (1 machine), Exhibit Hall (1 machine), and inside Ford Arena on the concourse (1 machine).</p> <p><b>Portable ATMs:</b> Portable ATMs (1-2) machines are to be accessible for events at the Ford Park Pavilion or Barn/Midway.</p> <p><b>All ATMs at Ford Park:</b> Must have 24/7 tech support; with the ability to dispatch a local tech for service or refill on weekends and holiday.</p>	Claudio Oliveira 409-951-5400

The successful Contractor will have the option of investigating the feasibility of placing ATMs in other County buildings.

**5.2 Security Requirements**

ATMs provided shall include up-to-date security features to discourage misuse of the machines.

**5.3 Installation Requirements**

The successful vendor shall install ATMs within 30 days of award. The vendor shall coordinate installation with the designated point of contact at each location.

**5.4 Service Requirements**

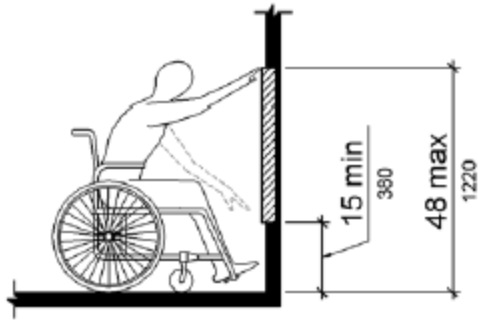
Respondents shall provide plans for service requirements, including service call response time, frequency of maintenance, etc.

**5.5 ADA Requirements**

Proposals shall include information showing that respondents' machines comply with requirements of the Americans with Disabilities Act (ADA), including Section 308.2 of the 2010 ADA Standards for Accessible Design, as follows:

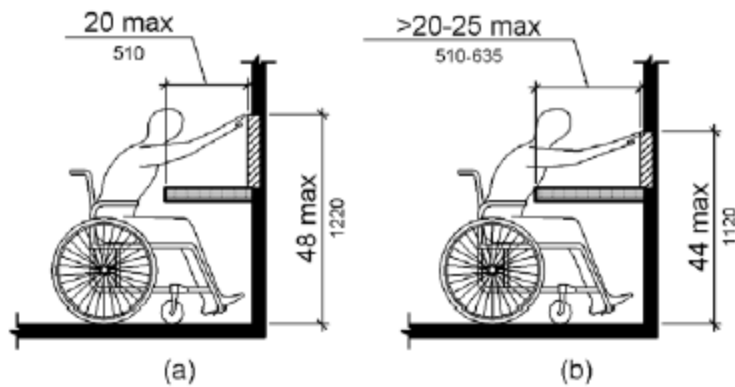
**§308.2 Forward Reach.**

**§308.2.1 Unobstructed.** Where a forward reach is unobstructed, the high forward reach shall be 48 inches (1220 mm) maximum and the low forward reach shall be 15 inches (380 mm) minimum above the finish floor or ground.



**Figure 308.2.1 Unobstructed Forward Reach**

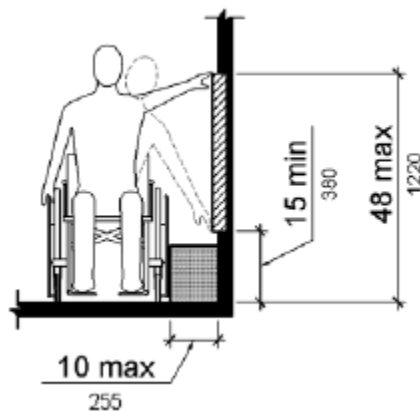
**§308.2.2 Obstructed High Reach.** Where a high forward reach is over an obstruction, the clear floor space shall extend beneath the element for a distance not less than the required reach depth over the obstruction. The high forward reach shall be 48 inches (1220 mm) maximum where the reach depth is 20 inches (510 mm) maximum. Where the reach depth exceeds 20 inches (510 mm), the high forward reach shall be 44 inches (1120 mm) maximum and the reach depth shall be 25 inches (635 mm) maximum.



**Figure 308.2.2 Obstructed High Forward Reach**

**308.3 Side Reach.**

**§308.3.1 Unobstructed.** Where a clear floor or ground space allows a parallel approach to an element and the side reach is unobstructed, the high side reach shall be 48 inches (1220 mm) maximum and the low side reach shall be 15 inches (380 mm) minimum above the finish floor or ground.



**Figure 308.3.1 Unobstructed Side Reach**

**§308.3.2 Obstructed High Reach.** Where a clear floor or ground space allows a parallel approach to an element and the high side reach is over an obstruction, the height of the obstruction shall be 34 inches (865 mm) maximum and the depth of the obstruction shall be 24 inches (610 mm) maximum. The high side reach shall be 48 inches (1220 mm) maximum for a reach depth of 10 inches (255 mm) maximum. Where the reach depth exceeds 10 inches (255 mm), the high side reach shall be 46 inches (1170 mm) maximum for a reach depth of 24 inches (610 mm) maximum.

### **Terms**

Modification of contract price shall be allowed only on the anniversary date of the contract. Prices throughout the initial one (1) year term shall remain firm/fixed. Written requests for price revisions after the first year shall be submitted in advance to the Jefferson County Purchasing Department. Requests shall be based upon and include documentation of the actual change in cost of components or local Consumer Price Index in the contract. Price increase shall not include overhead or profit. The County reserves the right to reject any price increase and/or to terminate the contract.

## **SECTION 6. PROPOSAL REQUIREMENTS**

---

### **6.1 OBJECTIVE OF PROPOSAL**

Each proposal must include a detailed work plan that addresses how work for Jefferson County would be performed. It shall include detailed personnel assignments. A detailed description of major deliverables to be provided must also be included.

The proposal must include a sample timeline for the completion of each major task included in the proposal to the extent practicable, as well as projected completion dates for each major activity required. All proposals submitted in response to this RFP become the property of Jefferson County.

### **6.2 PROPOSER EXPERIENCE**

The Successful Proposer must demonstrate extensive experience in and understanding of the nature of research and analysis required in order to carry out the intent of this project.

The proposal must identify all key personnel who are to be part of the proposed consultant team and detail their experience. Jefferson County Commissioners' Court reserves the right to approve each member of the team and to request substitutions.

The Proposer must describe in detail the current and historical experience the Proposer and its subcontractors have that would be relevant to completing the project. The Proposer must provide descriptions and references for all engagements of comparable complexity and sensitivity to the requirements of this RFP that have been conducted within the past five (5) years. References must contain the name of key contacts and a telephone number. The description of experience must be detailed and cover all relevant contracts that the Proposer and its subcontractors, as applicable, have had and all experience similar to this contract that qualifies the Proposer to meet the requirements of this contract. Included must be the names, titles, addresses, and current telephone numbers of organizations that may be contacted to verify qualifying experience

The Proposer must indicate whether the organizations so listed are included for the purpose of verifying the Proposer's qualifying experience, or the qualifying experience of its subcontractors. Each experience statement also must include the name and types of services directly provided by the Proposer under the contract, and whether the Proposer was the contractor or subcontractor.

The Proposer must briefly state why it believes its proposed services best meet the County's needs and RFP requirements, and the Proposer also must concisely describe any additional features, aspects, or advantages of its services in any relevant area not covered elsewhere in its proposal.

### **6.3 TYPE OF SERVICES PROVIDED BY PROPOSER**

#### **A. A description of services that may be utilized under this RFP includes:**

1. Automated Teller Machine (ATM) Installation and Operation

### **6.4 LAWS AND REGULATIONS**

The Automated Teller Machine (ATM) Installation and Operation Firm(s) must comply with all laws, ordinances, and rules and regulations which govern the work specified in this contract.

## SECTION 7. PROPOSAL EVALUATION AND SELECTION PROCESS

---

### 7.1 INTRODUCTION TO EVALUATION AND SELECTION PROCESS

The proposal evaluation and selection process is detailed in this section, as are other factors, and the format in which the cost response of each proposal must be submitted.

### 7.2 COST PROPOSAL

The Proposer must utilize the form provided on **PAGE 48 of these specifications** in its submission of a cost proposal in response to this RFP. The cost proposal must be included in each copy of the proposal. Any reworked version of this provided form that is intended to be a substitute for **PAGE 48 of these specifications**, that is provided by a Proposer may be determined as non-responsive, and may result in the proposal's disqualification.

### 7.3 EVALUATION COMMITTEE

Because of the diversity of the departments and activities of the County, the Purchasing Agent will appoint the Evaluation Committee for this Request for Proposals. The Purchasing Agent may appoint a chairperson and no less than two (2) other members for the committee. Typically, the committee will consist of at least one professional in the task required, a person knowledgeable about procurement practices, and either a representative of the department requesting the project, or the department executing the project. However, this structure is not binding and subject to change at the discretion of the Purchasing Agent. Other members may be appointed to the Evaluation Committee as necessary and appropriate, but the total number of persons committee shall not exceed five (5) persons. Committee appointments shall be in writing and shall briefly describe the scope of the project and, if necessary, the primary disciplines required to accomplish the project in order to assist the committee in developing a list of firms that might best accomplish the work required. Committee membership and project requirements will vary from project to project. Therefore, a firm rated number one for one project could be considered not qualified or ranked lower on another project.

### 7.4. EVALUATION PROCESS

RFP Submittals that do not conform to the instructions or which do not address all the services as specified within this RFP specifications packet may be eliminated from consideration. However, Jefferson County reserves the right to accept such a submittal if it is determined to be in the best interest of the County.

While Jefferson County appreciates a brief, straight-forward, and concise reply; proposer must fully understand that the evaluation is based on the information provided. Accuracy and completeness are essential. Omissions, ambiguous, and equivocal statements may be construed against the proposer. The proposal document may be incorporated into any contract which results from this RFP, and vendor(s) are cautioned not to make claims or statements it is not prepared to commit to contractually. Failure of the vendor to meet such claims will result in a requirement that the vendor provide resources necessary to meet submitted claims.

**The Jefferson County Purchasing Department may initiate discussions with selected vendors; however, discussions may not be initiated by vendors.**

The Jefferson County Purchasing Department expects to conduct discussions with vendor's representatives authorized to contractually obligate the vendor with an offer. **Vendors shall not contact any Jefferson County personnel during the RFP process without the express permission from the Jefferson County Purchasing Agent. The Purchasing Agent will disqualify any vendor who has made site visits, contacted Jefferson County personnel, or distributed any literature without authorization from the Jefferson County Purchasing Department.**

**All correspondence relating to this RFP, from advertisement to award shall be sent to the Jefferson County Purchasing Department. All presentations and/or meetings between Jefferson County and the vendor relating to this RFP shall be coordinated by the Jefferson County Purchasing Department.**

Selected vendors may be expected to make a presentation/product demonstration to an Evaluation Committee and Commissioners' Court. Proposals, vendor presentations, and product/service evaluations may develop into

negotiating sessions with the vendor(s) as selected by the Evaluation Committee. Jefferson County expects to conduct negotiations with vendor representatives authorized to contractually obligate the vendor with an offer. If vendor is unable to agree to contract terms and conditions, Jefferson County reserves the right to terminate contract negotiations with that vendor and initiate negotiations with another vendor. In addition to a presentation, visits by the Evaluation Committee to representative vendor client sites may be conducted where the proposed solution can be demonstrated in a production environment.

## **7.5 PROPOSAL EVALUATION CRITERIA:**

### **a. RESPONSIVENESS – 15%**

This refers to the proposal's complete responsiveness to all written specifications and requirements contained in this RFP.

### **b. IMPLEMENTATION PLAN – 25%**

Emphasis is on the efficiency and comprehensiveness of the methods to be used in performing the services requested by this RFP and in managing the project.

### **c. PROPOSER QUALIFICATIONS – 25%**

This refers to the overall qualifications of Proposer and its past experience in providing similar services to those requested by this RFP. It also refers to an evaluation of the quality of Proposer's performance on previous local government projects.

### **d. PERSONNEL QUALIFICATIONS – 15%**

This refers to the number and qualifications of the professional personnel who would be assigned to the job. Consideration will be given to the percentage of time that each would spend on the project. It also refers to an evaluation of the quality of the performance by each member of the Proposer's project team on previous projects with the County and similar projects.

### **e. COST OF PROFESSIONAL SERVICES – 20%**

This is the expected amount your firm would be compensated for services provided to the County. The County will consider hourly rates, retainer amounts, flat fees or other methods. While this will be an important factor, it will be considered as just one factor in the evaluation and selection process.

**PROPOSER: INSERT ALL ADDENDA BEHIND THIS PAGE.  
PLEASE BE SURE TO COMPLETE, SIGN, ATTEST, AND DATE EACH ADDENDUM.**



**COST PROPOSAL FORM:**

Using this form, each Proposer must state its proposed charges. Each Proposer's charges must include the entire cost of providing the services identified in this RFP.

Cost will be a factor in the County's selection process.

The undersigned bidder, having become familiar with this Invitation for Bids agrees to furnish Automated Teller Machines at various locations within Jefferson County on an as-needed basis in accordance with the Agreement.

1. The Bidder will charge a transaction fee of \$\_\_\_\_\_ per transaction. This amount will not include any additional fees charged by customers' financial institution.
2. Estimated number of persons who, because they have an account with bidder, will pay no transaction fee to bidder: \_\_\_\_\_
3. Amount to be paid to Jefferson County for each transaction on a quarterly basis: \$\_\_\_\_\_.
4. Response time for service calls: \_\_\_\_\_.

The undersigned hereby certifies that he or she has read the terms of this RFP and understands that Jefferson County reserves the right to waive any informality in or to reject any or all bids.

Company: \_\_\_\_\_

Address: \_\_\_\_\_

Telephone: \_\_\_\_\_ Fax: \_\_\_\_\_

Contact Name (please print): \_\_\_\_\_

Authorized Signature: \_\_\_\_\_

State of Incorporation or Primary Place of Business:

Company Name:	
Authorized Signature:	
Title:	

**REQUIRED FORM**  
**Proposer:**  
**Please complete this form and**  
**include with proposal submission.**

## NON-DISCLOSURE AGREEMENT

In consideration of Jefferson County retaining the services of a consultant and because of the sensitivity of certain information which may come under the care and control of Consultant, both parties agree that all information regarding the County or any selected County agency subject to this Contract; or gathered, produced, or derived from this project (Confidential Information) must remain confidential subject to release only by permission of the County, and more specifically agree as follows:

Media releases pertaining to this RFP and/or any resulting contract, or the services to which they relate, will not be made without the prior written consent of the County, and then only in accordance with explicit written instructions from the County. The disclosure of the contents of proposals prior to the award of a contract under this RFP, or any other violation of this section, may result in disqualification.

1. The Information may be used by Consultant only to assist Consultant in connection with its engagement with the County.
2. Consultant will not, at any time, use the Information in any fashion, form, or manner except in its capacity as independent consultant to the County.
3. Consultant agrees to maintain the confidentiality of any and all deliverables resulting from this Contract in the same manner that it protects the confidentiality of its own proprietary products of like kind.
4. The Information may not be copied or reproduced without the County's written consent.
5. All materials made available to Consultant, including copies thereof, must be returned to County upon the first to occur of; (a) completion of the project, or (b) request by the County.
6. The foregoing must not prohibit or limit Consultant use of the information (including, but not limited to, ideas, concepts, know-how, techniques and methodologies) (a) previously known to it, (b) independently developed by it, (c) acquired by it from a third party, or (d) which is or becomes part of the public domain through no breach to Consultant of this agreement.
7. This agreement shall become effective as of the date Information is first made available to Consultant and must survive the contract and be a continuing requirement.
8. The breach of this Nondisclosure Agreement by Consultant shall entitle the County to immediately terminate the Agreement upon written notice to Contractor for such breach. The parties acknowledge that the measure of damages in the event of a breach of this Nondisclosure Agreement may be difficult or impossible to calculate, depending on the nature of the breach. Regardless of whether the County elects to terminate the Agreement upon the breach hereof, the County may require Consultant to pay to the County the sum of \$1,000 for each breach as liquidated damages. This amount is not intended to be in the nature of a penalty, but is intended to be a reasonable estimate of the amount of damages to the County in the event of a breach hereof by Consultant. Comptroller does not waive any right to seek additional relief, either equitable or otherwise, concerning any breach of this Agreement.

[Printed Name of Consultant]

\_\_\_\_\_

By: \_\_\_\_\_  
Title: \_\_\_\_\_  
Date: \_\_\_\_\_

**REQUIRED FORM**

**Proposer:**

**Please complete this form and include with proposal submission.**

**RESPONDENT INFORMATION FORM**

---

Instructions: Complete the form below. Please provide legible, accurate, and complete contact information. PLEASE PRINT.

**RFP Number & Name:** (RFP 23-007/MR) Automated Teller Machines (ATM) Installation & Operation for Jefferson County

**Proposer's Company/Business Name:** \_\_\_\_\_

**Proposer's TAX ID Number:** \_\_\_\_\_

**If Applicable:** HUB Vendor No. \_\_\_\_\_ DBE Vendor No. \_\_\_\_\_

**Contact Person:** \_\_\_\_\_ **Title:** \_\_\_\_\_

**Phone Number (with area code):** \_\_\_\_\_

**Alternate Phone Number if available (with area code):** \_\_\_\_\_

**Fax Number (with area code):** \_\_\_\_\_

**Email Address:** \_\_\_\_\_

**Mailing Address (Please provide a physical address for bid bond return, if applicable):**

\_\_\_\_\_  
Address

\_\_\_\_\_  
City, State, Zip Code

**REQUIRED FORM**  
**Proposer:**  
**Please complete this form and**  
**include with proposal submission.**

## VENDOR REFERENCES FORM

Proposer: Please list at least three (3) companies or governmental agencies (preferably a municipality) where the same or similar products and/or services as contained in this specification package were recently provided.

### REQUIRED FORM

**Proposer: Please complete this form and include with proposal submission.**

#### REFERENCE ONE

Government/Company Name: \_\_\_\_\_

Address: \_\_\_\_\_

Contact Person and Title: \_\_\_\_\_

Phone: \_\_\_\_\_ Fax: \_\_\_\_\_

Email Address: \_\_\_\_\_ Contract Period: \_\_\_\_\_

Scope of Work: \_\_\_\_\_

#### REFERENCE TWO

Government/Company Name: \_\_\_\_\_

Address: \_\_\_\_\_

Contact Person and Title: \_\_\_\_\_

Phone: \_\_\_\_\_ Fax: \_\_\_\_\_

Email Address: \_\_\_\_\_ Contract Period: \_\_\_\_\_

Scope of Work: \_\_\_\_\_

#### REFERENCE THREE

Government/Company Name: \_\_\_\_\_

Address: \_\_\_\_\_

Contact Person and Title: \_\_\_\_\_

Phone: \_\_\_\_\_ Fax: \_\_\_\_\_

Email Address: \_\_\_\_\_ Contract Period: \_\_\_\_\_

Scope of Work: \_\_\_\_\_

**SIGNATURE PAGE**

---

As permitted under Article 4413 (32c) V.A.C.S., other governmental entities may wish to participate under the same terms and conditions contained in this contract (i.e., piggyback). In the event any other entity participates, all purchase orders will be issued directly from and shipped directly to the entity requiring supplies/services. Jefferson County shall not be held responsible for any orders placed, deliveries made or payment for supplies/services ordered by another entity. Each entity reserves the right to determine their participation in this contract.

Would Respondent be willing to allow other governmental entities to piggyback off this contract, if awarded, under the same terms and conditions? .....**Yes**  **No**

This Proposal/RFP Response shall remain in effect for **90 days** from RFP opening and shall be exclusive of federal excise and state and local sales tax (exempt).

The undersigned agrees, if this proposal is accepted, to furnish any and all items upon which prices are offered, at the price and upon the terms and conditions contained in the Request for Statements of Qualification, Conditions of RFP Response, Terms of Contract, and Specifications and all other items made a part of the accepted contract.

The undersigned affirms that they are duly authorized to execute the contract, that this company, corporation, firm, partnership or individual has not prepared this RFP response in collusion with any other Respondent, and that the contents of this RFP response as to prices, terms or conditions of said response have not been communicated by the undersigned nor by any employee or agent to any other RFP Respondent or to any other person(s) engaged in this type of business prior to the official opening of this RFP. And further, that neither the Respondent nor their employees nor agents have been for the past six (6) months directly nor indirectly concerned in any pool or agreement or combination to control the price of goods or services on, nor to influence any person to respond or not to respond thereon.

\_\_\_\_\_  
RFP Respondent (Entity Name)

\_\_\_\_\_  
Signature

\_\_\_\_\_  
Street & Mailing Address

\_\_\_\_\_  
Print Name

\_\_\_\_\_  
City, State & Zip

\_\_\_\_\_  
Date Signed

\_\_\_\_\_  
Telephone Number

\_\_\_\_\_  
Fax Number

\_\_\_\_\_  
E-mail Address

<p><b>REQUIRED FORM</b> <b><u>Proposer:</u></b> <b>Please complete this form and include with proposal submission.</b></p>
--

## CERTIFICATION REGARDING LOBBYING

---

### Certification for Contracts, Grants, Loans, and Cooperative Agreements

The undersigned certifies, to the best of his or her knowledge and belief, that:

1. No Federal appropriated funds have been paid or will be paid, by or on behalf of the undersigned, to any person for influencing or attempting to influence an officer or employee of an agency, a Member of Congress, an officer or employee of Congress, or an employee of a Member of Congress in connection with the awarding of any Federal contract, the making of any Federal grant, the making of any Federal loan, the entering into of any cooperative agreement, and the extension, continuation, renewal, amendment, or modification of any Federal contract, grant, loan, or cooperative agreement.
  
2. If any funds other than Federal appropriated funds have been paid or will be paid to any person for influencing or attempting to influence an officer or employee of any agency, a Member of Congress, an officer or employee of Congress, or an employee of a Member of Congress in connection with this Federal contract, grant, loan, or cooperative agreement, the undersigned shall complete and submit Standard Form-LLL, "Disclosure Form to Report Lobbying," in accordance with its instructions.
  
3. The undersigned shall require that the language of this certification be included in the award documents for all subawards at all tiers (including subcontracts, subgrants, and contracts under grants, loans, and cooperative agreements) and that all subrecipients shall certify and disclose accordingly.

This certification is a material representation of fact upon which reliance was placed when this transaction was made or entered into. Submission of this certification is a prerequisite for making or entering into this transaction imposed by section 1352, title 31, U.S. Code. Any person who fails to file the required certification shall be subject to a civil penalty of not less than \$10,000 and not more than \$100,000 for each such failure.

The Contractor, certifies or affirms the truthfulness and accuracy of each statement of its certification and disclosure, if any. In addition, the Contractor understands and agrees that the provisions of 31 U.S.C. Chap. 38, Administrative Remedies for False Claims and Statements, apply to this certification and disclosure, if any.

<hr style="border: 0; border-top: 1px solid black; margin-bottom: 5px;"/> <p><b>Signature of Contractor's Authorized Official</b></p> <hr style="border: 0; border-top: 1px solid black; margin-bottom: 5px;"/> <p><b>Name and Title of Contractor's Authorized Official</b> <i>(Please Print)</i></p> <hr style="border: 0; border-top: 1px solid black; margin-bottom: 5px;"/> <p><b>Date</b></p>
---

**REQUIRED FORM**  
**Proposer:**  
**Please complete this form and include with proposal submission.**

## INSTRUCTIONS FOR COMPLETION OF SF-LLL, DISCLOSURE OF LOBBYING ACTIVITIES

This disclosure form shall be completed by the reporting entity, whether sub-awardee or prime Federal recipient, at the initiation or receipt of a covered Federal action, or a material change to a previous filing, pursuant to title 31 U.S.C. section 1352. The filing of a form is required for each payment or agreement to make payment to any lobbying entity for influencing or attempting to influence an officer or employee of any agency, a Member of Congress, an officer or employee of Congress, or an employee of a Member of Congress in connection with a covered Federal action. Complete all items that apply for both the initial filing and material change report. Refer to the implementing guidance published by the Office of Management and Budget for additional information.

1. Identify the type of covered Federal action for which lobbying activity is and/or has been secured to influence the outcome of a covered Federal action.
2. Identify the status of the covered Federal action.
3. Identify the appropriate classification of this report. If this is a follow-up report caused by a material change to the information previously reported, enter the year and quarter in which the change occurred. Enter the date of the last previously submitted report by this reporting entity for this covered Federal action.
4. Enter the full name, address, city, State and zip code of the reporting entity. Include Congressional District, if known. Check the appropriate classification of the reporting entity that designates if it is, or expects to be, a prime or subaward recipient. Identify the tier of the sub-awardee, e.g., the first sub-awardee of the prime is the 1st tier. Subawards include but are not limited to subcontracts, subgrants and contract awards under grants.
5. If the organization filing the report in item 4 checks "Sub-awardee," then enter the full name, address, city, State and zip code of the prime Federal recipient. Include Congressional District, if known.
6. Enter the name of the federal agency making the award or loan commitment. Include at least one organizational level below agency name, if known. For example, Department of Transportation, United States Coast Guard.
7. Enter the Federal program name or description for the covered Federal action (item 1). If known, enter the full Catalog of Federal Domestic Assistance (CFDA) number for grants, cooperative agreements, loans, and loan commitments.
8. Enter the most appropriate Federal identifying number available for the Federal action identified in item 1 (e.g., Request for Proposal (RFP) number; Invitations for Bid (IFB) number; grant announcement number; the contract, grant, or loan award number; the application/proposal control number assigned by the Federal agency). Included prefixes, e.g., "RFP-DE-90-001."
9. For a covered Federal action where there has been an award or loan commitment by the Federal agency, enter the Federal amount of the award/loan commitment for the prime entity identified in item 4 or 5.
10. (a) Enter the full name, address, city, State and zip code of the lobbying registrant under the Lobbying Disclosure Act of 1995 engaged by the reporting entity identified in item 4 to influence the covered Federal action.  
  
(b) Enter the full names of the individual(s) performing services, and include full address if different from 10(a). Enter Last Name, First Name, and Middle Initial (MI).
11. The certifying official shall sign and date the form, print his/her name, title, and telephone number.

---

According to the Paperwork Reduction Act, as amended, no persons are required to respond to a collection of information unless it displays a valid OMB control Number. The valid OMB control number for this information collection is OMB No. 0348-0046. Public reporting burden for this collection of information is estimated to average 10 minutes per response, including time for reviewing instructions, searching existing data sources, gathering and maintaining the data needed, and completing and reviewing the collection of information. Send comments regarding the burden estimate or any other aspect of this collection of information, including suggestions for reducing this burden, to the Office of Management and Budget, Paperwork Reduction Project (0348-0046), Washington, DC 20503

**Disclosure of Lobbying Activities**

Complete this form to disclose lobbying activities pursuant to 31 U.S.C. 1352  
(See reverse for public burden disclosure)

<b>Type of Federal Action:</b> <input type="checkbox"/> a. contract <input type="checkbox"/> b. grant <input type="checkbox"/> c. cooperative agreement <input type="checkbox"/> d. loan <input type="checkbox"/> e. loan guarantee <input type="checkbox"/> f. loan insurance	<b>Status of Federal Action:</b> <input type="checkbox"/> a. bid/offer/application <input type="checkbox"/> b. initial award <input type="checkbox"/> c. post-award	<b>Report Type:</b> <input type="checkbox"/> a. initial filing <input type="checkbox"/> b. material change
<b>Name and Address of Reporting Entity:</b> <input type="checkbox"/> Prime <input type="checkbox"/> Sub-awardee Tier _____, if Known:  <b>Congressional District, if known:</b>	<b>If Reporting Entity in No. 4 is Sub-awardee, Enter Name and Address of Prime:</b>  <b>Congressional District, if known:</b>	
<b>Federal Department/Agency:</b>	<b>7. Federal Program Name/Description:</b>  CFDA Number, <i>if applicable</i> : _____	
<b>Federal Action Number, if known:</b>	<b>9. Award Amount, if known:</b>  \$	
<b>10. a. Name and Address of Lobbying Registrant</b> <i>(if individual, last name, first name, MI):</i>	<b>b. Individuals Performing Services</b> <i>(including address if different from No. 10a)</i> <i>(last name, first name, MI):</i>	
<b>11. Information requested through this form is authorized by title 31 U.S.C. section 1352. This disclosure of lobbying activities is a material representation of fact upon which reliance was placed by the tier above when this transaction was made or entered into. This disclosure is required pursuant to 31 U.S.C. 1352. This information will be reported to the Congress semi-annually and will be available for public inspection. Any person who fails to file the required disclosure shall be subject to a civil penalty of not less than \$10,000 and not more than \$100,000 for each such failure.</b>	<b>Signature:</b> _____ <b>Print Name:</b> _____ <b>Title:</b> _____ <b>Telephone No.:</b> _____ <b>Date:</b> _____	
<b>Federal Use Only</b>	<b>Authorized for Local Reproduction Standard Form - LLL (Rev. 7-97)</b>	

**REQUIRED FORM**  
**Proposer:**  
 Please complete this form and include with proposal submission.



**CONFLICT OF INTEREST QUESTIONNAIRE**  
**For vendor doing business with local governmental entity**

A complete copy of Chapter 176 of the Local Government Code may be found at <http://www.statutes.legis.state.tx.us/Docs/LG/htm/LG.176.htm>. For easy reference, below are some of the sections cited on this form.

**Local Government Code § 176.001(1-a):** "Business relationship" means a connection between two or more parties based on commercial activity of one of the parties. The term does not include a connection based on:

- (A) a transaction that is subject to rate or fee regulation by a federal, state, or local governmental entity or an agency of a federal, state, or local governmental entity;
- (B) a transaction conducted at a price and subject to terms available to the public; or
- (C) a purchase or lease of goods or services from a person that is chartered by a state or federal agency and that is subject to regular examination by, and reporting to, that agency.

**Local Government Code § 176.003(a)(2)(A) and (B):**

(a) A local government officer shall file a conflicts disclosure statement with respect to a vendor if:

\*\*\*

(2) the vendor:

(A) has an employment or other business relationship with the local government officer or a family member of the officer that results in the officer or family member receiving taxable income, other than investment income, that exceeds \$2,500 during the 12-month period preceding the date that the officer becomes aware that

(i) a contract between the local governmental entity and vendor has been executed;

or

(ii) the local governmental entity is considering entering into a contract with the vendor;

(B) has given to the local government officer or a family member of the officer one or more gifts that have an aggregate value of more than \$100 in the 12-month period preceding the date the officer becomes aware that:

(i) a contract between the local governmental entity and vendor has been executed; or

(ii) the local governmental entity is considering entering into a contract with the vendor.

**Local Government Code § 176.006(a) and (a-1)**

(a) A vendor shall file a completed conflict of interest questionnaire if the vendor has a business relationship with a local governmental entity and:

(1) has an employment or other business relationship with a local government officer of that local governmental entity, or a family member of the officer, described by Section 176.003(a)(2)(A);

(2) has given a local government officer of that local governmental entity, or a family member of the officer, one or more gifts with the aggregate value specified by Section 176.003(a)(2)(B), excluding any gift described by Section 176.003(a-1); or

(3) has a family relationship with a local government officer of that local governmental entity.

(a-1) The completed conflict of interest questionnaire must be filed with the appropriate records administrator not later than the seventh business day after the later of:

(1) the date that the vendor:

(A) begins discussions or negotiations to enter into a contract with the local governmental entity; or

(B) submits to the local governmental entity an application, response to a request for proposals or bids, correspondence, or another writing related to a potential contract with the local governmental entity; or

(2) the date the vendor becomes aware:

(A) of an employment or other business relationship with a local government officer, or a family member of the officer, described by Subsection (a);

(B) that the vendor has given one or more gifts described by Subsection (a); or

(C) of a family relationship with a local government officer.

## CONFLICT OF INTEREST QUESTIONNAIRE

<b>CONFLICT OF INTEREST QUESTIONNAIRE</b> For vendor doing business with local governmental entity		<b>FORM CIQ</b>
<p>This questionnaire reflects changes made to the law by H.B. 23, 84th Leg., Regular Session. This questionnaire is being filed in accordance with Chapter 176, Local Government Code, by a vendor who has a business relationship as defined by Section 176.001(1-a) with a local governmental entity and the vendor meets requirements under Section 176.006(a).</p> <p>By law this questionnaire must be filed with the records administrator of the local governmental entity not later than the 7th business day after the date the vendor becomes aware of facts that require the statement to be filed. See Section 176.006(a-1), Local Government Code.</p> <p>A vendor commits an offense if the vendor knowingly violates Section 176.006, Local Government Code. An offense under this section is a misdemeanor.</p>	<b>OFFICE USE ONLY</b>	
<p><b>1</b> Name of vendor who has a business relationship with local governmental entity.</p>	Date Received	
<p><b>2</b> <input type="checkbox"/> Check this box if you are filing an update to a previously filed questionnaire.</p> <p>(The law requires that you file an updated completed questionnaire with the appropriate filing authority not later than the 7th business day after the date on which you became aware that the originally filed questionnaire was incomplete or inaccurate.)</p>		
<p><b>3</b> Name of local government officer about whom the information in this section is being disclosed.</p> <p style="text-align: center;">_____</p> <p style="text-align: center;">Name of Officer</p> <p>This section (item 3 including subparts A, B, C, &amp; D) must be completed for each officer with whom the vendor has an employment or other business relationship as defined by Section 176.001(1-a), Local Government Code. Attach additional pages to this Form CIQ as necessary.</p> <p>A. Is the local government officer named in this section receiving or likely to receive taxable income, other than investment income, from the vendor?</p> <p style="text-align: center;"><input type="checkbox"/> Yes      <input type="checkbox"/> No</p> <p>B. Is the vendor receiving or likely to receive taxable income, other than investment income, from or at the direction of the local government officer named in this section AND the taxable income is not received from the local governmental entity?</p> <p style="text-align: center;"><input type="checkbox"/> Yes      <input type="checkbox"/> No</p> <p>C. Is the filer of this questionnaire employed by a corporation or other business entity with respect to which the local government officer serves as an officer or director, or holds an ownership interest of one percent or more?</p> <p style="text-align: center;"><input type="checkbox"/> Yes      <input type="checkbox"/> No</p> <p>D. Describe each employment or business and family relationship with the local government officer named in this section.</p>		
<p><b>4</b></p> <p style="text-align: center;">_____</p> <p style="text-align: center;">Signature of vendor doing business with the governmental entity      Date</p>		

Adopted 8/7/2015

**REQUIRED FORM**  
**Proposer:**  
**Please complete this form and include with proposal submission.**

### LOCAL GOVERNMENT OFFICER

**CONFLICTS DISCLOSURE STATEMENT – OFFICE USE ONLY**

<p><b>LOCAL GOVERNMENT OFFICER CONFLICTS DISCLOSURE STATEMENT</b></p>		<p><b>FORM CIS</b></p>
<p>This questionnaire reflects changes made to the law by H.B. 23, 84th Leg., Regular Session.</p> <p>This is the notice to the appropriate local governmental entity that the following local government officer has become aware of facts that require the officer to file this statement in accordance with Chapter 176, Local Government Code.</p>		<p><b>OFFICE USE ONLY</b></p>
1	<p><b>Name of Local Government Officer</b></p>	<p>Date Received</p>
2	<p><b>Office Held</b></p>	
3	<p><b>Name of vendor described by Sections 176.001(7) and 176.003(a), Local Government Code</b></p>	
4	<p><b>Description of the nature and extent of employment or other business relationship with vendor named in item 3</b></p>	
5	<p><b>List gifts accepted by the local government officer and any family member, if aggregate value of the gifts accepted from vendor named in item 3 exceeds \$100 during the 12-month period described by Section 176.003(a)(2)(B).</b></p> <p>Date Gift Accepted _____ Description of Gift _____</p> <p>Date Gift Accepted _____ Description of Gift _____</p> <p>Date Gift Accepted _____ Description of Gift _____</p> <p align="center">(attach additional forms as necessary)</p>	
6	<p><b>AFFIDAVIT</b></p> <p>I swear under penalty of perjury that the above statement is true and correct. I acknowledge that the disclosure applies to each family member (as defined by Section 176.001(2), Local Government Code) of this local government officer. I also acknowledge that this statement covers the 12-month period described by Section 176.003(a)(2)(B), Local Government Code.</p> <p align="right">_____</p> <p align="right">Signature of Local Government Officer</p> <p>AFFIX NOTARY STAMP / SEAL ABOVE</p> <p>Sworn to and subscribed before me, by the said _____, this the _____ day of _____, 20 _____, to certify which, witness my hand and seal of office.</p> <p>_____ Signature of officer administering oath      Printed name of officer administering oath      Title of officer administering oath</p>	

Adopted 8/7/2015

**THIS FORM IS FOR  
OFFICE USE ONLY**

## GOOD FAITH EFFORT (GFE)

---

### Determination Checklist

*This information must be submitted with your proposal.*

**Instructions:** In order to determine if a "Good Faith Effort" was made in soliciting HUBs for subcontracting opportunities, the following checklist and supporting documentation shall be completed by the Prime Contractor/Consultant, and returned with the Prime Contractor/ Consultant's bid. This list contains the **minimum** efforts that should be put forth by the Prime Contractor/Consultant when attempting to achieve or exceed the goals of HUB Subcontractor participation. The Prime Contractor/Consultant may extend his/her efforts in soliciting HUB Subcontractor participation beyond what is listed below.

#### Did the Prime Contractor/Consultant . . .

- |                          |     |                          |    |   |
|--------------------------|-----|--------------------------|----|---|
| <input type="checkbox"/> | Yes | <input type="checkbox"/> | No | 1. To the extent practical, and consistent with standard and prudent industry standards, divide the contract work into the smallest feasible portions, to allow for maximum HUB Subcontractor participation?  |
| <input type="checkbox"/> | Yes | <input type="checkbox"/> | No | 2. <b>Notify</b> in writing a reasonable number of HUBs, allowing sufficient time for effective participation of the planned work to be subcontracted?  |
| <input type="checkbox"/> | Yes | <input type="checkbox"/> | No | 3. <b>Provide</b> HUBs that were genuinely interested in bidding on a subcontractor, adequate information regarding the project (i.e., plans, specifications, scope of work, bonding and insurance requirements, and a point of contact within the Prime Contractor/Consultant's organization)? |
| <input type="checkbox"/> | Yes | <input type="checkbox"/> | No | 4. <b>Negotiate</b> in good faith with interested HUBs, and not reject bids from HUBs that qualify as lowest and responsive bidders?  |
| <input type="checkbox"/> | Yes | <input type="checkbox"/> | No | 5. <b>Document</b> reasons HUBs were rejected? Was a written rejection notice, including the reason for rejection, provided to the rejected HUBs?   |
| <input type="checkbox"/> | Yes | <input type="checkbox"/> | No | 6. If Prime Contractor/Consultant has zero (0) HUB participation, <b>please explain the reasons why.</b>  |

**If "No" was selected, please explain and include any pertinent documentation with your proposal.  
If necessary, please use a separate sheet to answer the above questions.**

---

Printed Name of Authorized Representative

---

Signature

---

Title

---

Date

**REQUIRED FORM**

**Proposer:**

**Please complete this form and  
include with proposal submission.**

**Notice of Intent (NOI) to Subcontract with  
Historically Underutilized Business (HUB)**

*This information must be submitted with your proposal.*

Proposer intends to utilize subcontractors/sub-consultants in the fulfillment of this contract (if awarded).

Yes  No

**Instructions for Prime Contractor/Consultant:** Proposer shall submit this form with the bid; however, the information below may be submitted after contract award, but prior to beginning performance on the contract. Please submit one form for each HUB Subcontractor/Sub-consultant with proper signatures, per the terms and conditions of your contract.

Contractor Name: \_\_\_\_\_ HUB: p Yes p No

Address: \_\_\_\_\_  
Street City State Zip

Phone (with area code): \_\_\_\_\_ Fax (with area code): \_\_\_\_\_

Project Title & No.: \_\_\_\_\_

Prime Contract Amount: \$ \_\_\_\_\_

HUB Subcontractor Name: \_\_\_\_\_

HUB Status (Gender & Ethnicity): \_\_\_\_\_

Certifying Agency:  Tx. Bldg & Procurement Comm.  Jefferson County  Tx Unified Certification Prog.

Address: \_\_\_\_\_  
Street City State Zip

Phone (with area code): \_\_\_\_\_ Fax (with area code): \_\_\_\_\_

Proposed Subcontract Amount: \$ \_\_\_\_\_ Percentage of Prime Contract: \_\_\_\_\_ %

Description of Subcontract Work to be Performed: \_\_\_\_\_

\_\_\_\_\_  
Printed Name of Contractor Representative Signature of Representative Date

\_\_\_\_\_  
Printed Name of HUB Signature of Representative Date

**NOTE: NOTHING ON THIS NOTICE OF INTENT FORM IS INTENDED TO CONFER ANY RIGHTS, EXPRESSED OR IMPLIED, TO ANY THIRD PARTIES.**

Pre-Approval for Subcontractor Substitutions must be obtained from the Jefferson County Purchasing Agent's Representative. The "HUB Subcontractor/Sub-consultant Change Form" must be completed and faxed to 409-835-8456.

**REQUIRED FORM**

**Proposer:**

**Please complete this form and  
include with proposal submission.**

**Historically Underutilized Business (HUB)  
Subcontracting Participation Declaration Form**

**Page 1 of 4**

*This information must be submitted with your proposal.*

Proposer intends to utilize subcontractors/sub-consultants in the fulfillment of this contract (if awarded).

Yes  No

Prime Contractor: \_\_\_\_\_ HUB:  Yes  No

HUB Status (Gender & Ethnicity): \_\_\_\_\_

Address: \_\_\_\_\_  
Street City State Zip

Phone (with area code): \_\_\_\_\_ Fax (with area code): \_\_\_\_\_

Project Title & No.: \_\_\_\_\_ IFB/RFP No.: \_\_\_\_\_

Total Contract: \$ \_\_\_\_\_ Total HUB Subcontract(s): \$ \_\_\_\_\_

Construction HUB Goals: 12.8% MBE: \_\_\_\_\_ % 12.6% WBE: \_\_\_\_\_ %

Sub-goals: 1.7 African-American, 9.7% Hispanic, 0.7% Native American, 0.8% Asian American.  
Use these goals as a guide to diversify.

**FOR HUB OFFICE USE ONLY:**

Verification date HUB Program Office reviewed and verified HUB Sub information Date: \_\_\_\_\_ Initials: \_\_\_\_\_

**PART I. HUB SUCONTRACTOR DISCLOSURE**

HUB Subcontractor Name: \_\_\_\_\_

HUB Status (Gender & Ethnicity): \_\_\_\_\_

Certifying Agency:  Texas Bldg & Procurement Comm.  Texas Unified Certification Prog.

Address: \_\_\_\_\_  
Street City State Zip

Contact person: \_\_\_\_\_ Title: \_\_\_\_\_

Phone (with area code): \_\_\_\_\_ Fax (with area code): \_\_\_\_\_

Proposed Subcontract Amount: \$ \_\_\_\_\_ Percentage of Prime Contract: \_\_\_\_\_ %

Description of Subcontract Work to be Performed: \_\_\_\_\_

**REQUIRED FORM**

**Proposer:**

**Please complete this form and  
include with proposal submission.**

# Historically Underutilized Business (HUB) Subcontracting Participation Declaration Form

Page 2 of 4

### HUB Subcontractor Disclosure

#### PART I: Continuation Sheet (Duplicate as Needed)

HUB Subcontractor Name: \_\_\_\_\_

HUB Status (Gender & Ethnicity): \_\_\_\_\_

Certifying Agency:  Tx. Bldg & Procurement Comm.  Jefferson County  Tx Unified Certification Prog.

Address: \_\_\_\_\_  
Street City State Zip

Contact person: \_\_\_\_\_ Title: \_\_\_\_\_

Phone (with area code): \_\_\_\_\_ Fax (with area code): \_\_\_\_\_

Proposed Subcontract Amount: \$ \_\_\_\_\_ Percentage of Prime Contract: \_\_\_\_\_ %

Description of Subcontract Work to be Performed: \_\_\_\_\_  
\_\_\_\_\_

HUB Subcontractor Name: \_\_\_\_\_

HUB Status (Gender & Ethnicity): \_\_\_\_\_

Certifying Agency:  Tx. Bldg & Procurement Comm.  Jefferson County  Tx Unified Certification Prog.

Address: \_\_\_\_\_  
Street City State Zip

Contact person: \_\_\_\_\_ Title: \_\_\_\_\_

Phone (with area code): \_\_\_\_\_ Fax (with area code): \_\_\_\_\_

Proposed Subcontract Amount: \$ \_\_\_\_\_ Percentage of Prime Contract: \_\_\_\_\_ %

Description of Subcontract Work to be Performed: \_\_\_\_\_  
\_\_\_\_\_

**All HUB Subcontractor Participation may be verified with the  
HUB Subcontractor(s) listed on PART I.**

**REQUIRED FORM  
Proposer:  
Please complete this form and  
include with proposal submission.**

## Historically Underutilized Business (HUB) Subcontracting Participation Declaration Form

Page 3 of 4

### **PART II: STATEMENT OF NON-COMPLIANCE FOR NOT MEETING HUB SUBCONTRACTING GOALS**

*Please complete Good Faith Effort (GFE) Checklist and attach any supporting documentation.*

Our firm was unable to meet the HUB goals for this project for the following reasons:

- All subcontractors to be utilized are "Non-HUBs." (Complete Part III)
- HUBs were solicited but did not respond.
- HUBs solicited were not competitive.
- HUBs were unavailable for the following trade(s): \_\_\_\_\_
- Other: \_\_\_\_\_

Was the Jefferson County HUB Office contacted for assistance in locating HUBs?  Yes  No

### **PART III: DISCLOSURE OF OTHER "NON-HUB" SUBCONTRACTS**

The Proposer shall use this area to provide a listing of all "Non-HUB" Subcontractors, including suppliers, that will perform under this project. A list of those "Non-HUB" Subcontractors the Proposer selects, after bid submission, shall be provided to the Purchasing Office not later than five (5) calendar days after being notified that Proposer is the apparent low Proposer. A list of those "Non-HUB" Subcontractors that are selected after contract award must be provided immediately after their selection.

Subcontractor Name: \_\_\_\_\_

Address: \_\_\_\_\_  
Street City State Zip

Contact person: \_\_\_\_\_ Title: \_\_\_\_\_

Phone (with area code): \_\_\_\_\_ Fax (with area code): \_\_\_\_\_

Proposed Subcontract Amount: \$ \_\_\_\_\_ Percentage of Prime Contract: \_\_\_\_\_ %

Description of Subcontract Work to be Performed: \_\_\_\_\_

Subcontractor Name: \_\_\_\_\_

Address: \_\_\_\_\_  
Street City State Zip

Contact person: \_\_\_\_\_ Title: \_\_\_\_\_

Phone (with area code): \_\_\_\_\_ Fax (with area code): \_\_\_\_\_

Proposed Subcontract Amount: \$ \_\_\_\_\_ Percentage of Prime Contract: \_\_\_\_\_ %

Description of Subcontract Work to be Performed: \_\_\_\_\_

**REQUIRED FORM**  
**Proposer:**  
**Please complete this form and include with proposal submission.**



**Historically Underutilized Business (HUB)  
Subcontracting Participation Declaration Form**

Page 4 of 4

Subcontractor Name: \_\_\_\_\_

Address: \_\_\_\_\_  
                                Street                                City                                State                                Zip

Contact person: \_\_\_\_\_ Title: \_\_\_\_\_

Phone (with area code): \_\_\_\_\_ Fax (with area code): \_\_\_\_\_

Proposed Subcontract Amount:    \$ \_\_\_\_\_                      Percentage of Prime Contract: \_\_\_\_\_ %

Description of Subcontract Work to be Performed: \_\_\_\_\_

Subcontractor Name: \_\_\_\_\_

Address: \_\_\_\_\_  
                                Street                                City                                State                                Zip

Contact person: \_\_\_\_\_ Title: \_\_\_\_\_

Phone (with area code): \_\_\_\_\_ Fax (with area code): \_\_\_\_\_

Proposed Subcontract Amount:    \$ \_\_\_\_\_                      Percentage of Prime Contract: \_\_\_\_\_ %

Description of Subcontract Work to be Performed: \_\_\_\_\_

I hereby certify that I have read the *HUB Program Instructions and Information*, truthfully completed all applicable parts of this form, and **attached any necessary support documentation as required**. I fully understand that intentionally falsifying information on this document may result in my not receiving a contract award or termination of any resulting contract.

Name (print or type): \_\_\_\_\_

Title: \_\_\_\_\_

Signature: \_\_\_\_\_

Date: \_\_\_\_\_

E-mail address: \_\_\_\_\_

Contact person that will be in charge of invoicing for this project:

Name (print or type): \_\_\_\_\_

Title: \_\_\_\_\_

Date: \_\_\_\_\_

E-mail address: \_\_\_\_\_

**REQUIRED FORM**

**Proposer:**

**Please complete this form and  
include with proposal submission.**

**RESIDENCE CERTIFICATION/TAX FORM**

Pursuant to Texas Government Code §2252.001 *et seq.*, as amended, Jefferson County requests Resident Certification. §2252.001 *et seq.* of the Government Code provides some restrictions on the awarding of governmental contracts; pertinent provisions of §2252.001 are stated below:

- (3) "Non-resident RFP Respondent" refers to a person who is not a resident.
- (4) "Resident RFP Respondent" refers to a person whose principal place of business is in this state, including a contractor whose ultimate parent company or majority owner has its principal place of business in this state.

- I certify that \_\_\_\_\_ [company name] is a Resident Respondent of Texas as defined in Government Code §2252.001.
- I certify that \_\_\_\_\_ [company name] is a Non-Resident Respondent as defined in Government Code §2252.001 and our principal place of business is \_\_\_\_\_ (city and state).

Taxpayer Identification Number (T.I.N.):	
Company Name submitting bid/proposal/response:	
Mailing address:	
If you are an individual, list the names and addresses of any partnership of which you are a general partner:	

**Property:** List all taxable property owned by you or above partnerships in Jefferson County.

Jefferson County Tax Acct. No.*	Property address or location**

\* This is the property amount identification number assigned by the Jefferson County Appraisal District.  
 \*\* For real property, specify the property address or legal description. For business property, specify the address where the property is located. For example, office equipment will normally be at your office, but inventory may be stored as a warehouse or other location.

**REQUIRED FORM**  
**Proposer:**  
**Please complete this form and include with proposal submission.**

**HOUSE BILL 89 VERIFICATION**

I, \_\_\_\_\_, the undersigned representative of (company or business name) \_\_\_\_\_ (heretofore referred to as company) being an adult over the age of eighteen (18) years of age, after being duly sworn by the undersigned notary, do hereby depose and verify under oath that the company named above, under the provisions of Subtitle F, Title 10, Government Code Chapter 2270:

- 1. Does not boycott Israel currently; and
- 2. Will not boycott Israel during the term of the contract.

**Pursuant to Section 2270.002, Texas Government Code:**

- 1. **“Boycott Israel”** means refusing to deal with, terminating business activities with, or otherwise taking any action that is intended to penalize, inflict economic harm on, or limit commercial relations specifically with Israel, or with a person or entity doing business in Israel or in an Israeli-controlled territory, but does not include an action made ordinary business purposes; and
- 2. **“Company”** means a for-profit sole proprietorship, organization, association, corporation, partnership, joint venture, limited partnership, limited liability partnership, or an limited liability company, including a wholly owned subsidiary, majority-owned subsidiary, parent company or affiliate of those entities or business association that exist to make a profit.

\_\_\_\_\_  
Signature of Company Representative

\_\_\_\_\_  
Date

On this \_\_\_\_\_ day of \_\_\_\_\_, 20\_\_\_\_, personally appeared

\_\_\_\_\_, the above-named person, who after by me being duly sworn, did swear and confirm that the above is true and correct.

Notary Seal

\_\_\_\_\_  
**Notary Signature**

\_\_\_\_\_  
**Date**

<p><b>REQUIRED FORM</b>  <b>Proposer:</b>  <b>Please complete this form and include with proposal submission.</b></p>
---

**SENATE BILL 252 CERTIFICATION**

---

On this day, I, Deborah L. Clark, Purchasing Agent for Jefferson County, Texas, pursuant to Texas Government Code, Chapter 2252, Section 2252.152 and Section 2252.153, certify that I did review the website of the Comptroller of the State of Texas concerning the listing of companies that is identified under Section 806.051, Section 807.051, or Section 2253.253 and I have ascertained that the below named company is not contained on said listing of companies which do business with Iran, Sudan, or any Foreign Terrorist Organization.

\_\_\_\_\_  
**Company Name**

\_\_\_\_\_  
**IFB/RFP/RFQ number**

**Certification check performed by:**

\_\_\_\_\_  
**Purchasing Representative**

\_\_\_\_\_  
**Date**

**RESPONDENT'S AFFIDAVIT**

---

I have carefully examined the Request for Proposal Specifications, and any other documents accompanying or made a part of this Request for Proposals.

I hereby propose to furnish the goods or services specified in the Request for Proposal. I agree that my proposal will remain firm for a period of up to **90 days** in order to allow Jefferson County adequate time to evaluate the qualifications submitted.

I verify that all information contained in this proposal is truthful to the best of my knowledge and belief. I further certify that I am duly authorized to submit this proposal on behalf of the firm as its act and deed and that the firm is ready, willing and able to perform if awarded the contract.

I further certify, under oath, that this proposal is made without prior understanding, agreement, connection, discussion, or collusion with any other person, firm or corporation submitting a proposal for the same product or service: no officer, employee or agent of Jefferson County or any other Respondent is interested in said proposal: and that the undersigned executed this Respondent's Certification with full knowledge and understanding of the matters therein contained and was duly authorized to do so.

\_\_\_\_\_  
NAME OF BUSINESS

BY:

\_\_\_\_\_  
SIGNATURE

\_\_\_\_\_  
NAME & TITLE, TYPED OR PRINTED

\_\_\_\_\_  
MAILING ADDRESS

\_\_\_\_\_  
CITY, STATE, ZIP CODE

( ) \_\_\_\_\_  
TELEPHONE NUMBER

Sworn to and subscribed before me  
this \_\_\_\_\_ day of  
\_\_\_\_\_, 2023

\_\_\_\_\_  
Notary Public

State of \_\_\_\_\_

My Commission Expires: \_\_\_\_\_

**REQUIRED FORM**  
**Proposer:**  
**Please complete this form and**  
**include with proposal submission.**